

FU60L Fluo 60

Countertop - wall hung basin 60 cm with tap ledge

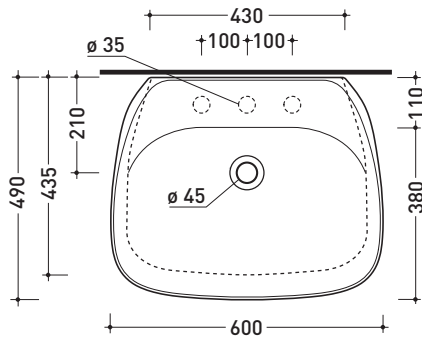
• WITH OVERFLOW • ARRANGED FOR THREE HOLES TAP

Complements: **Forty6 shelf** (F65058)
Filo 75 structure (FI75SV - FI75SC)
Furniture BOX - depth. 50
Line taps basin: ONE - NOKÈ - SI - FOLD - X1
Line accessories: TWO - HOOP - NOKÈ - FOLD

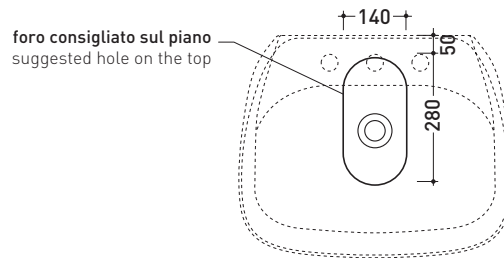
Technical accessories: **Chrome siphon (SIFL/CR) - Telescopic chrome siphon (SIFL066)**
Stop & Go drain (PLSG)
CERAMIC Stop & Go drain (PLCE)
Two piece set chrome tap filters (RF026)
Fixing kit for wall (9002)

Package dim. cm | Weight 15 kg | Pz. Pallet n° -

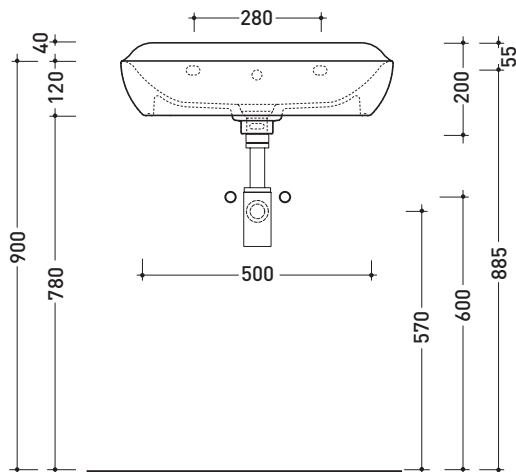
CE UNI EN 14688 - CL20 Dop-No14688



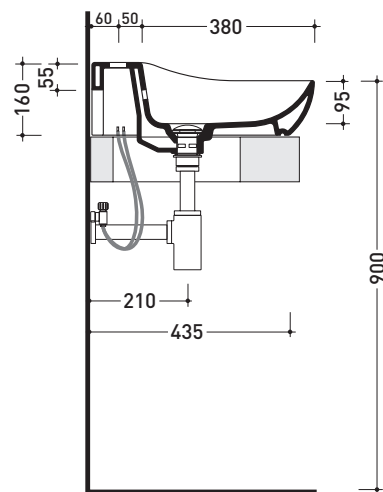
vista zenitale / zenital view



vista zenitale / zenital view



vista frontale / frontal view



sezione longitudinale / section

sizes in mm

Please consider a 2% tolerance on indicated measurements

CERAMIC: glossy finish



matt finish

