

BM85L Bloom 85

Wall-hung or suitable for furniture consolle cm 85

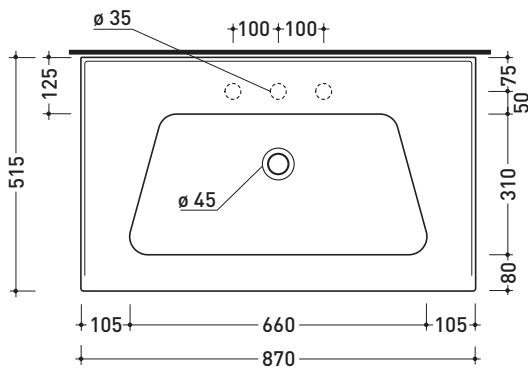
•WITH OVERFLOW •ARRANGED FOR THREE TAP HOLES

Complements: **Towel rail structure** (BM85S)
Box wall hung vanity unit H50 with 2 drawers (BBX815)
Box wall hung vanity unit H50 with 1 drawer (BBX811)
Box wall hung vanity unit H25 with 1 drawer (BBX993)
Line taps basin: ONE - NOKÈ - SI - FOLD - X1
Line accessories: TWO - HOOP - NOKÈ - FOLD

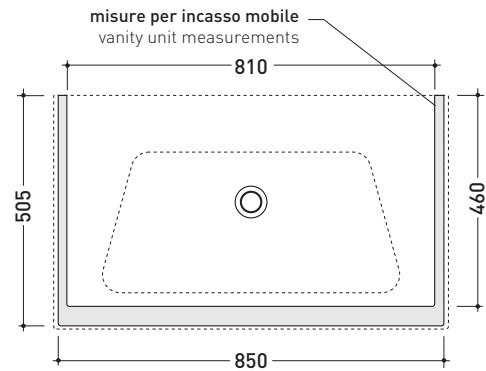
Technical accessories: **Chrome siphon** (SIFL/CR) - **Telescopic chrome siphon** (SIFL066)
Stop & Go drain (PLSG)
CERAMIC Stop & Go drain (PLCE)
Two piece set chrome tap filters (RF026)
Wall fixing kit (9002)

Package dim. | Weight **21,5 kg** | Pz. Pallet n°

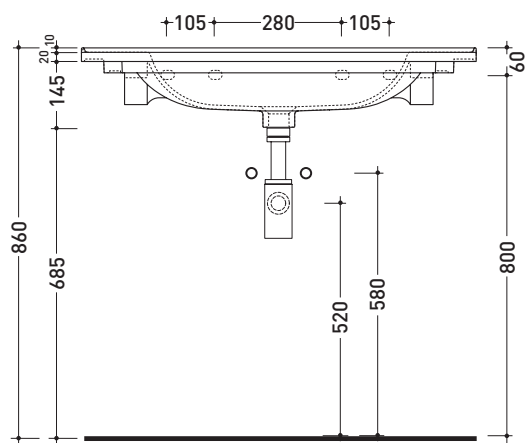
CE UNI EN 14688 - CL20 Dop-No14688



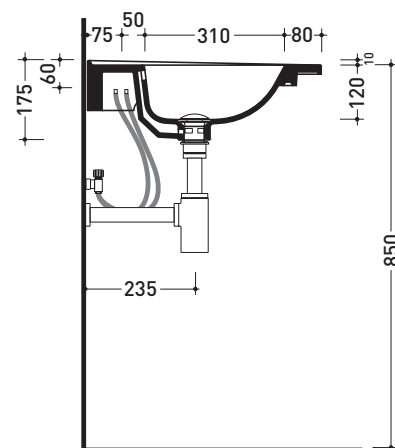
vista zenitale / zenital view



vista zenitale / zenital view



vista frontale / frontal view



sezione longitudinale / section

sizes in mm

Please consider a 2% tolerance on indicated measurements

CERAMIC: glossy finish



matt finish

