

design ALEXANDER DURINGER and STEFANO ROSINI

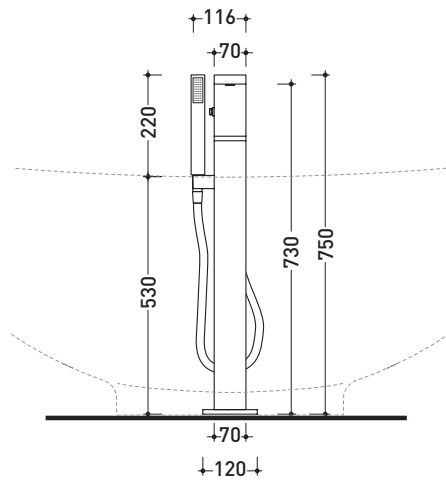
2005

SI2085

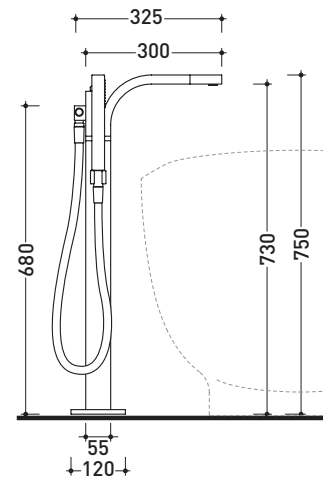
Free-standing bath mixer with spout and handshower

Complements: Line accessories TWO
Line accessories HOOP

Package dim. 130 x 31 x 20 cm | Weight 13 kg | Pz. Pallet n° -



vista frontale / frontal view



vista laterale / lateral view

sizes in mm

BRASS: glossy finish



chrome

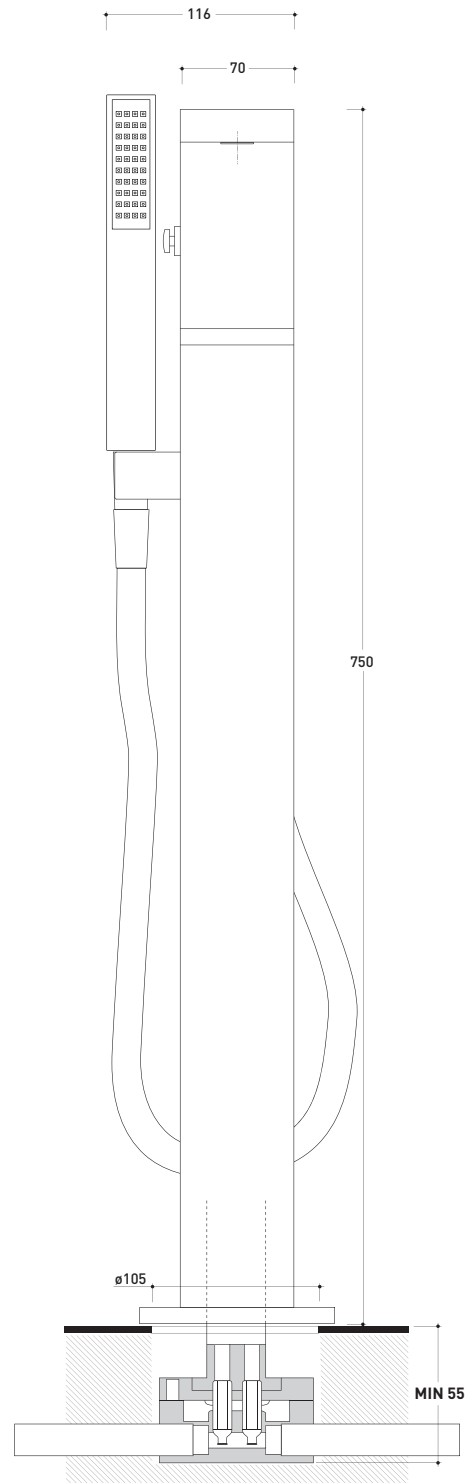
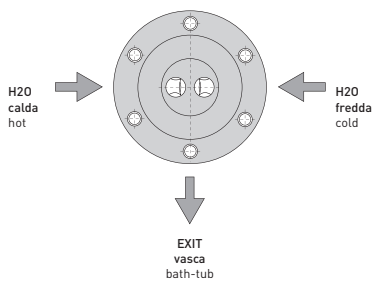
<http://www.ceramicaflaminia.it/en/products/314-si>

©ceramicaflaminiaspa - All rights reserved. Unauthorized copying, publication, reproduction as well as partial reproduction are prohibited

july 2021



art. **SI2085**



sizes in mm