

TR117

Back to wall wc with S/P trap (drainage connector for floor trap art. TR/CON and floor fixing kit art. 9003 included)

Complements: **Thermosetting wrapping seat&cover** (TRCW02)
Soft-closing thermosetting wrapping seat&cover (TRCW03)
Niagara monoblock cistern (TR39)
Line accessories: TWO - HOOP - NOKÉ - FOLD

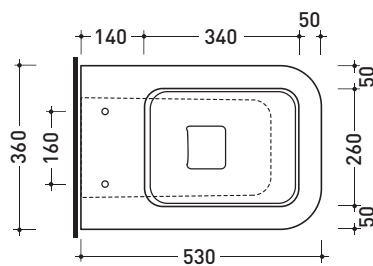
Dim. Imballo 56 x 39 x 45,5 cm | Peso 32 kg | Pz. Pallet n° 15



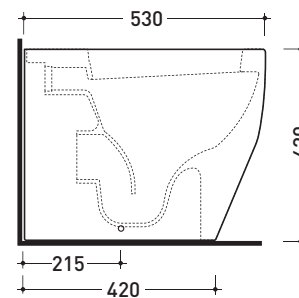
WHILE STOCKS LAST

UNI EN 997

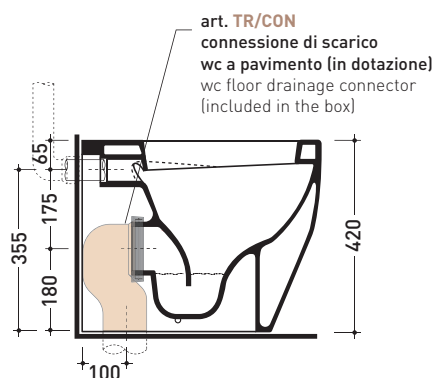
Dop-No997



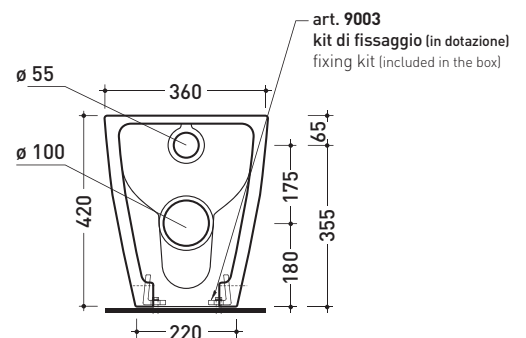
vista zenitale / zenital view



vista laterale / lateral view



sezione longitudinale / section



vista retro / back view

sizes in mm

Please consider a 2% tolerance on indicated measurements

CERAMIC: glossy finish



matt finish



FLAMINIA does not recommend combining this toilet model with rapid-flow/flushometer systems or traditional high tanks