

design **FLAMINIA DESIGN TEAM**

**1990**

**6016**

**Metal structure to suit Efi 70 basin**

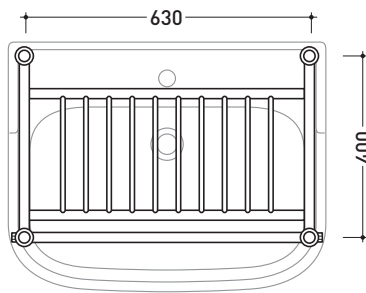
Complements: **Efi 70 basin (6006)**  
**Line taps basin: EVERGREEN**  
**Line accessories: EVERGREEN**

Technical accessories: **Chrome siphon (SIFL/CR) - Telescopic chrome siphon (SIFL066)**  
**Stop & Go drain (PLSG)**  
**CERAMIC Stop & Go drain (PLCE)**  
**Two piece set chrome tap filters (RF026)**  
**Wall fixing kit (9002)**

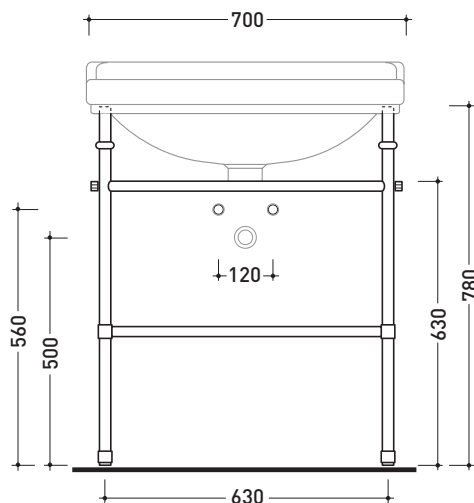
Package dim. structure	57 x 9 x 70 cm	Weight 17 kg	Pz. Pallet n° -
Package dim. basin		Weight 23 kg	Pz. Pallet n° 20



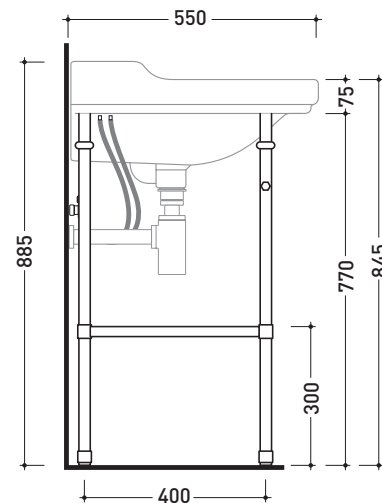
CE



vista zenitale / zenital view



vista frontale / frontal view



vista laterale / lateral view

sizes in mm

**METAL:** glossy finish



chrome



gold