

## 6006 Efi 70

### Wall hung single-hole basin 70 cm

• WITH OVERFLOW • ARRANGED FOR THREE HOLES TAP

Complements: **Line taps basin:** EVERGREEN  
**Line accessories:** EVERGREEN

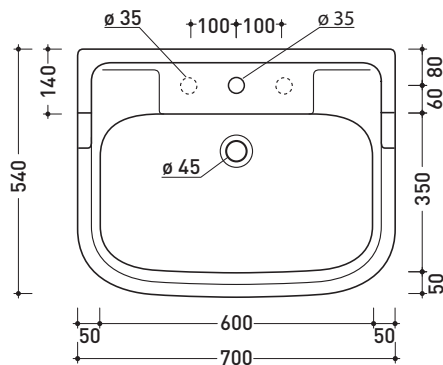
Technical accessories: **Chrome siphon (SIFL/CR) - Telescopic chrome siphon (SIFL066)**  
**Stop & Go drain (PLSG)**  
**CERAMIC Stop & Go drain (PLCE)**  
**Two piece set chrome tap filters (RF026)**  
**Wall fixing kit (9002)**

Package dim.

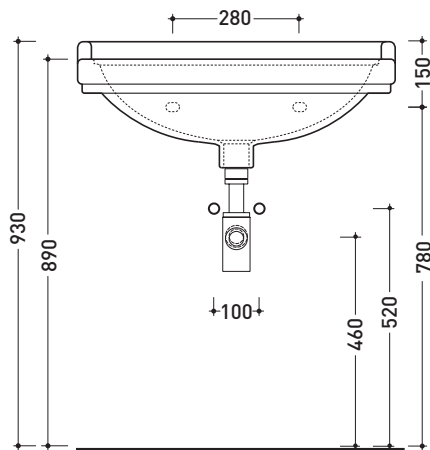
Weight **23 kg**

Pz. Pallet n° **20**

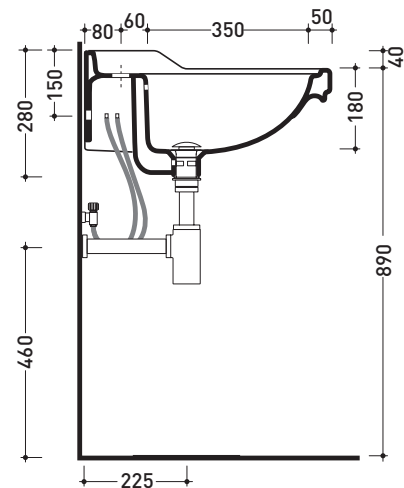
CE UNI EN 14688 - CL20 Dop-No14688



vista zenitale / zenital view



vista frontale / frontal view



sezione longitudinale / section

sizes in mm

CERAMIC: glossy finish



white



black

matt finish



milky white

Please consider a 2% tolerance on indicated measurements