

design **LORENZO DAMIANI**

2010

## FL2580

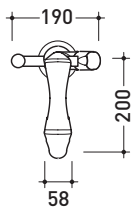
Freestanding bath mixer with inverter and handshower

Complements: Line accessories FOLD

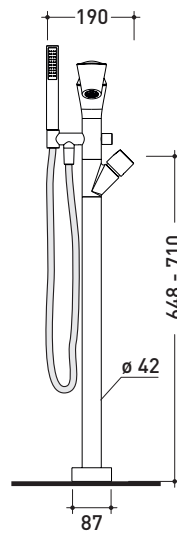
Package dim.

Weight **11,5 kg**

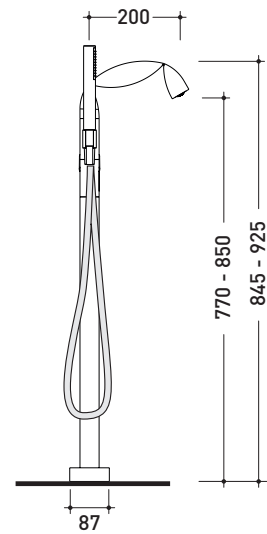
Pz. Pallet n° -



vista zenitale / zenital view



vista frontale / frontal view



vista laterale / lateral view

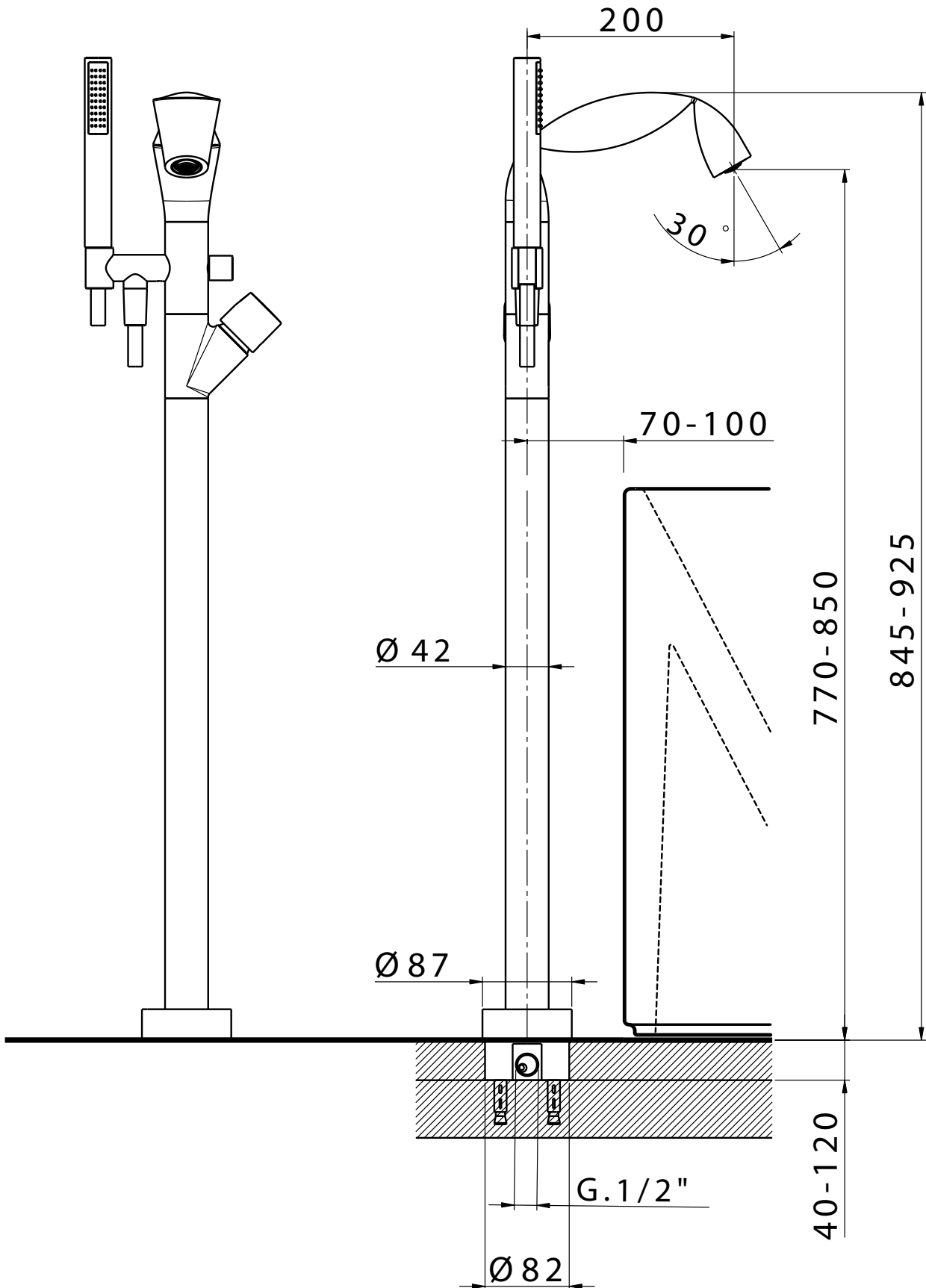
sizes in mm

BRASS: glossy finish



chrome

art. **FL2580**



sizes in mm