

## ND60A Nudaslim 60

### Countertop basin 60 cm

•WITHOUT OVERFLOW •WITHOUT TAP LEDGE

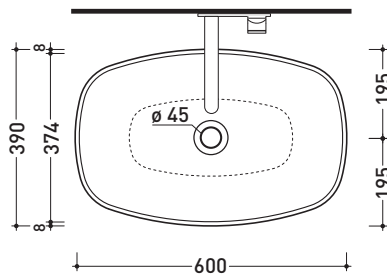
Complements: **Box wall hung vanity units depth 37 cm**  
**Box wall hung vanity units depth 50 cm**  
**Line taps basin: ONE - NOKÈ - FOLD - X1**  
**Line accessories: TWO - HOOP - NOKÈ - FOLD**

Technical accessories: **Chrome siphon (SIFL/CR) - Telescopic chrome siphon (SIFL066)**  
**Stop & Go drain (PLSG)**  
**CERAMIC Stop & Go drain (PLCE)**  
**Fixing kit for wall (9002)**

Package dim. | Weight **9,3 kg** | Pz. Pallet n°

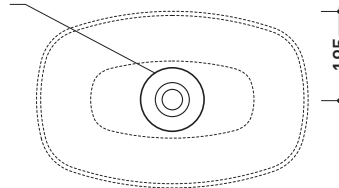


UNI EN 14688 - CL00 Dop-No14688

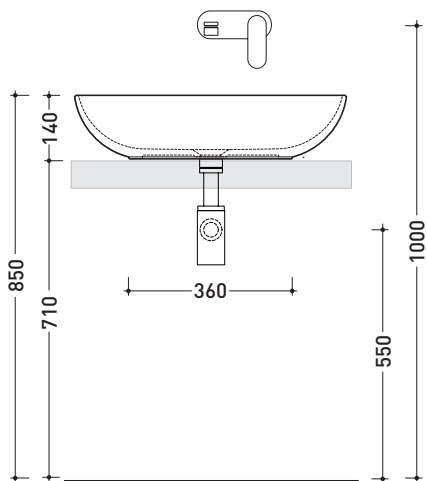


vista zenitale / zenital view

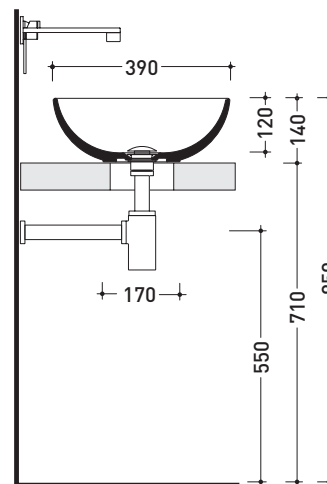
foro consigliato  
sul piano Ø140  
suggested hole  
on the top Ø140



vista zenitale / zenital view



vista frontale / frontal view



sezione longitudinale / section

sizes in mm

Please consider a 2% tolerance on indicated measurements

CERAMIC: glossy finish



matt finish

