

design LORENZO DAMIANI

2010

FL3059

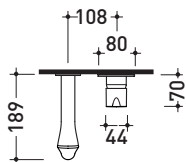
Concealed single-lever mixer with wall spout (stop&go drain included)

Complements: Line accessories FOLD

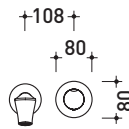
Package dim.

Weight 1,8 kg

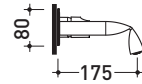
Pz. Pallet n° -



vista zenitale / zenital view



vista frontale / frontal view



vista laterale / lateral view

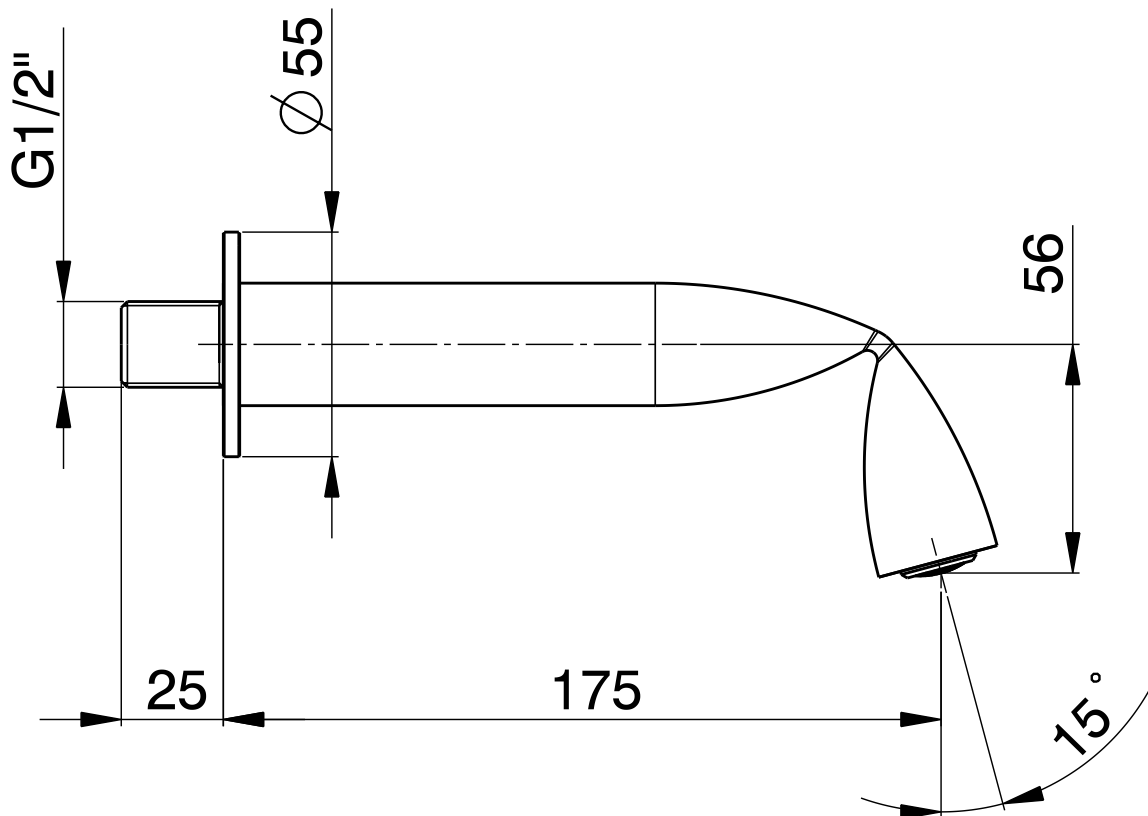
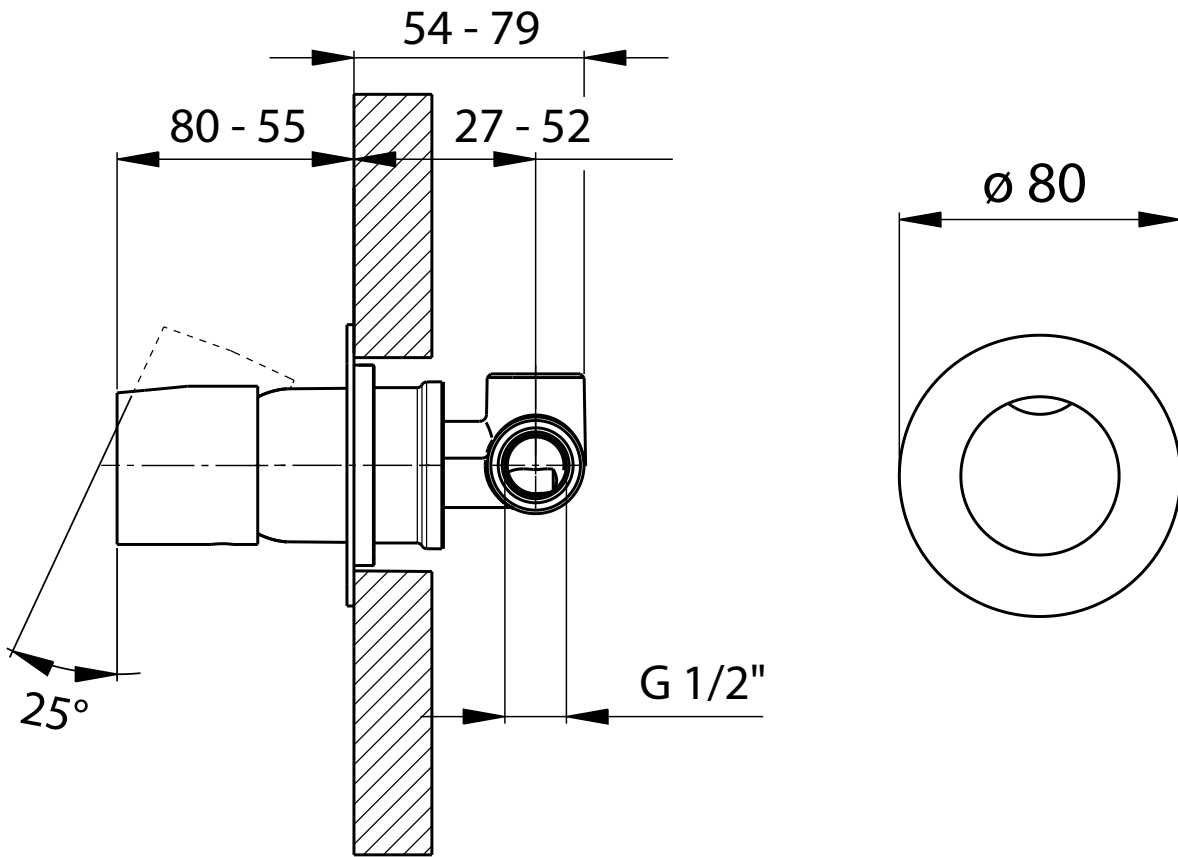
sizes in mm

BRASS: glossy finish



chrome

art. **FL3059**



sizes in mm