

design **PATRICK NORGUET**

2007

## MN64L Monò 64

Countertop - wall hung basin 64 cm

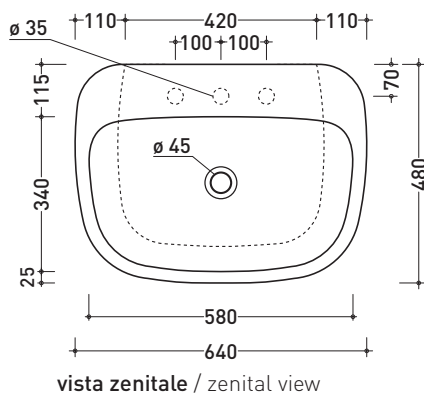
• WITHOUT OVERFLOW • ARRANGED FOR THREE TAP HOLES

Complements: **Forty6 shelf (F6MN64)**  
**Solid shelf (SLMN64)**  
**Furniture BOX - depth. 50**  
**Line taps basin: ONE - NOKÉ - FOLD - SI - X1**  
**Line accessories: TWO - HOOP - NOKÉ - FOLD**

Technical accessories: **Chrome siphon (SIFL/CR) - Telescopic chrome siphon (SIFL066)**  
**Stop & Go drain (PLSG)**  
**CERAMIC Stop & Go drain (PLCE)**  
**Two piece set chrome tap filters (RF026)**  
**Fixing kit for wall (9002)**

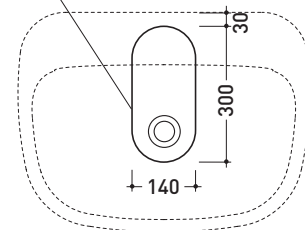
Package dim. **66,5 x 2 0x 51,5 cm** | Weight **21,5 kg** | Pz. Pallet n° **15**

CE UNI EN 14688 - CL00 Dop-No14688

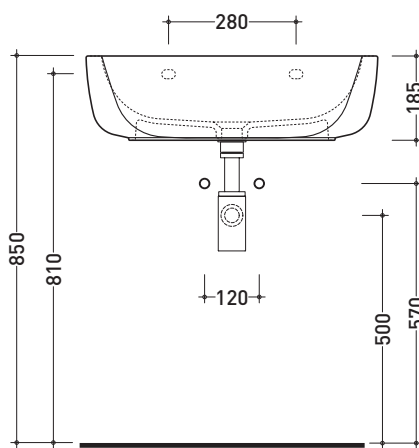


vista zenitale / zenital view

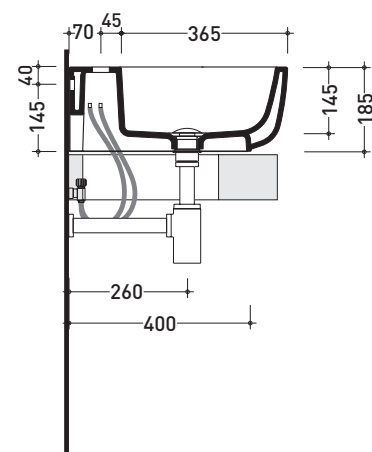
foro consigliato sul piano  
suggested hole on the top



vista zenitale / zenital view



vista frontale / frontal view



sezione longitudinale / section

sizes in mm

Please consider a 2% tolerance on indicated measurements

CERAMIC: glossy finish



white black

matt finish



milky white graphite lava grey

<http://www.ceramicaflaminia.it/en/products/301-mono>

©ceramicaflaminiaspa - All rights reserved. Unauthorized copying, publication, reproduction as well as partial reproduction are prohibited

april 2020

