

# Twin Set Slim

➔ **FLAMINIA.**

design **LUDOVICA+ROBERTO PALOMBA**

**2020**

## TW42S + TS01/42 Twin Set Slim 42

Wall hung single-hole basin 42 cm + wall fixing bracket

•WITH OVERFLOW •WITH TAP LEDGE

Complements: **Line taps basin: ONE - NOKÈ - FOLD - X1**  
**Line accessories: TWO - HOOP - NOKÈ - FOLD**

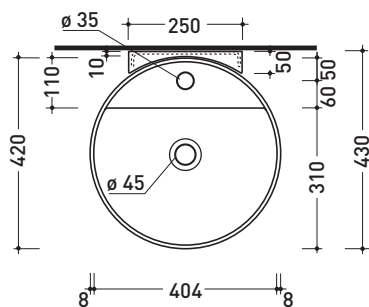
Technical accessories: **Chrome siphon (SIFL/CR) - Telescopic chrome siphon (SIFL066)**  
**Stop & Go drain (PLSG)**  
**Ceramic Stop&Go drain (PLCE)**  
**Two piece set chrome tap filters (RF026)**

Package dim. basin: **cm** | Weight **11 kg** | Pz. Pallet n° **30**

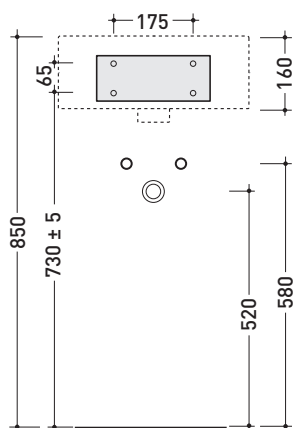
Package dim. bracket: **37 x 15 x 8 cm** | Weight **2,4 kg** | Pz. Pallet n° -



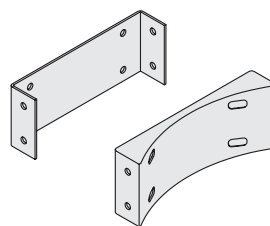
CE UNI EN 14688 - CL20 Dop-No14688



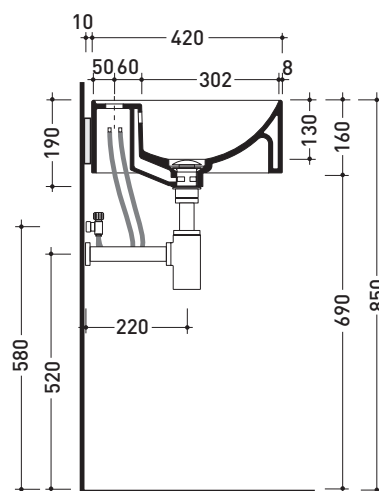
vista zenitale / zenital view



vista frontale fissaggio staffa  
fixing bracket frontal view



staffa di fissaggio  
fixing bracket



vista laterale / lateral view

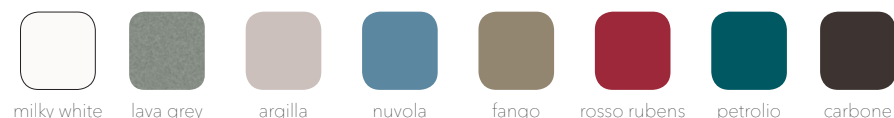
sizes in mm

Please consider a 2% tolerance on indicated measurements

CERAMIC: glossy finish



matt finish



<http://www.ceramicaflaminia.it/en/products/322-twin>

©ceramicaflaminiaspa - All rights reserved. Unauthorized copying, publication, reproduction as well as partial reproduction are prohibited

january 2021



# Twin Set Slim

➔ **FLAMINIA.**

design **LUDOVICA+ROBERTO PALOMBA**

2020

## TW42S + TS02/42 Twin Set Slim 42

Wall hung single-hole basin 42 cm + corner bracket for wall fixing

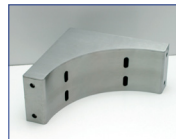
•WITH OVERFLOW •WITH TAP LEDGE

Complements: **Line taps basin:** ONE - NOKÈ - FOLD - X1  
**Line accessories:** TWO - HOOP - NOKÈ - FOLD

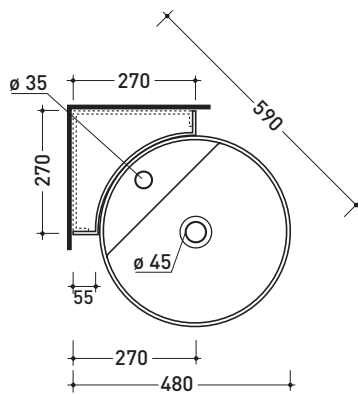
Technical accessories: **Chrome siphon (SIFL/CR) - Telescopic chrome siphon (SIFL066)**  
**Stop & Go drain (PLSG)**  
**Ceramic Stop&Go drain (PLCE)**  
**Two piece set chrome tap filters (RF026)**

|                    |    |        |       |               |    |
|--------------------|----|--------|-------|---------------|----|
| Package dim. basin | cm | Weight | 11 kg | Pz. Pallet n° | 30 |
|--------------------|----|--------|-------|---------------|----|

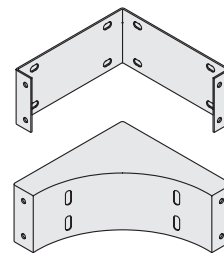
|                      |                 |        |        |               |   |
|----------------------|-----------------|--------|--------|---------------|---|
| Package dim. bracket | 29 x 29 x 13 cm | Weight | 4,4 kg | Pz. Pallet n° | - |
|----------------------|-----------------|--------|--------|---------------|---|



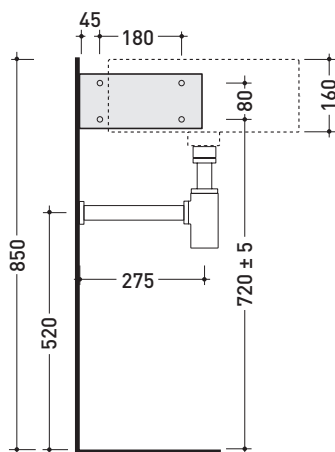
CE UNI EN 14688 - CL20 Dop-No14688



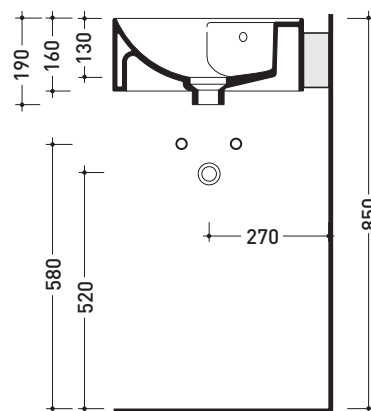
vista zenitale / zenital view



staffa di fissaggio  
fixing bracket



vista frontale fissaggio staffa  
fixing bracket frontal view



sezione longitudinale / section

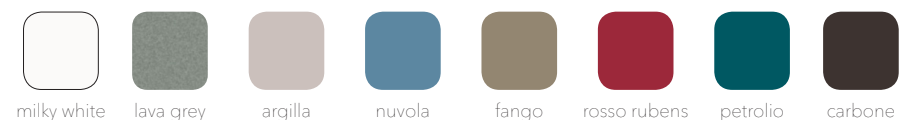
sizes in mm

Please consider a 2% tolerance on indicated measurements

CERAMIC: glossy finish



matt finish



<http://www.ceramicaflaminia.it/en/products/322-twin>

©ceramicaflaminiaspa - All rights reserved. Unauthorized copying, publication, reproduction as well as partial reproduction are prohibited

january 2021

