

design ROMANO ADOLINI

2006

UNA200WB

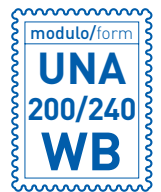
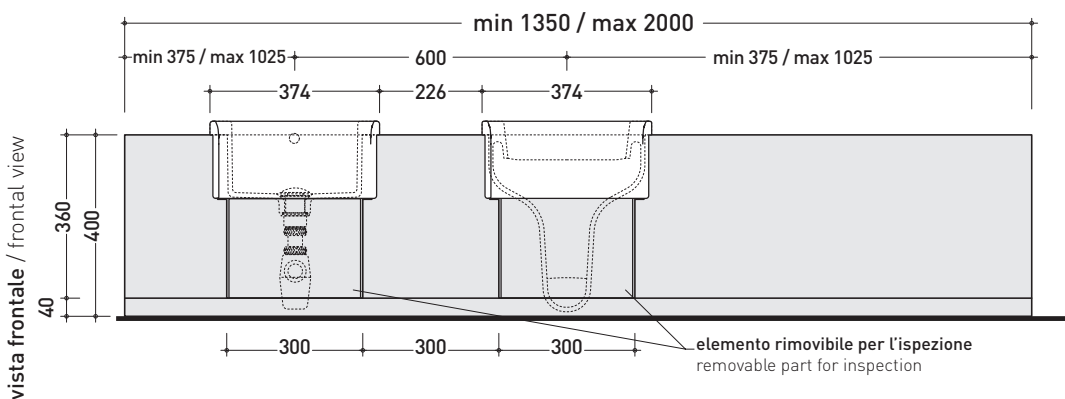
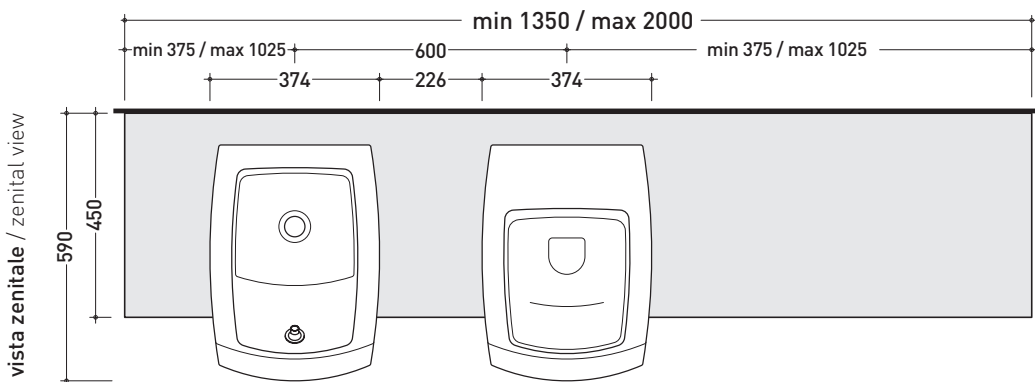
Case from 135 to 200 x 45 x h 40 cm
suitable for semi-inset wc and bidet

Complements: Una semi-inset wc and bidet (UNA/WC - UNA/B)
Toilet set (UNAPF/R)
Una mixer (UNA2560)
Line accessories: TWO - HOOP - NOKÉ - FOLD



TAP HOLES ARE NOT MADE ON THIS ARTICLE BY FLAMINIA

CE



REFERENCE TO
THE COMPULSORY
ORDER FORM

sizes in mm

PIETRALUCE: glossy finish



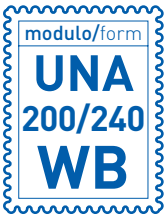
matt finish



WOOD: finish



white black marine blue red beige sand grey milky white carbone lava grey argilla cenere light oak dark oak wood to be covered



MODULO PER LA REALIZZAZIONE DI MOBILI **UNA** PER VASO E BIDET

UNA CUSTOMIZED CASES FOR **UNA** WC AND BIDET FORM



E' obbligatorio fotocopiare questa pagina, compilarla con cura e allegarla all'ordine.
It is compulsory to photocopy this page, carefully fill in and attach to the order.

➔➔ **1**

DETTAGLI ORDINE / ORDER DETAILS

ordinante - buyer		cliente - client	
ordine - order n:	data - date:	ref.:	
annotazioni - notes			

➔➔ **2**

SCelta ARTICOLO / ITEM CHOICE

E' importante consultare prima la scheda tecnica relativa
It's important to consult before the technical detail

- art. **UNA200WB**
mobile / case da / from 135 a / to 200 cm
- art. **UNA240WB**
mobile / case da / from 200 a / to 240 cm

➔➔ **3**

SCelta MATERIALE / MATERIAL SELECTION

PIETRALUCE

- | | |
|--|---|
| <input type="checkbox"/> bianco - white | <input type="checkbox"/> latte - milky white |
| <input type="checkbox"/> grigio - grey | <input type="checkbox"/> argilla - argilla |
| <input type="checkbox"/> beige - beige | <input type="checkbox"/> gr. lava - lava grey |
| <input type="checkbox"/> nero - black | <input type="checkbox"/> carbone - carbone |
| <input type="checkbox"/> blu ultram. - marine blue | <input type="checkbox"/> cenere - cenere |
| <input type="checkbox"/> sabbia - sand | |
| <input type="checkbox"/> rosso cuoio - red | |

FINITURE LEGNO / WOOD FINISHES

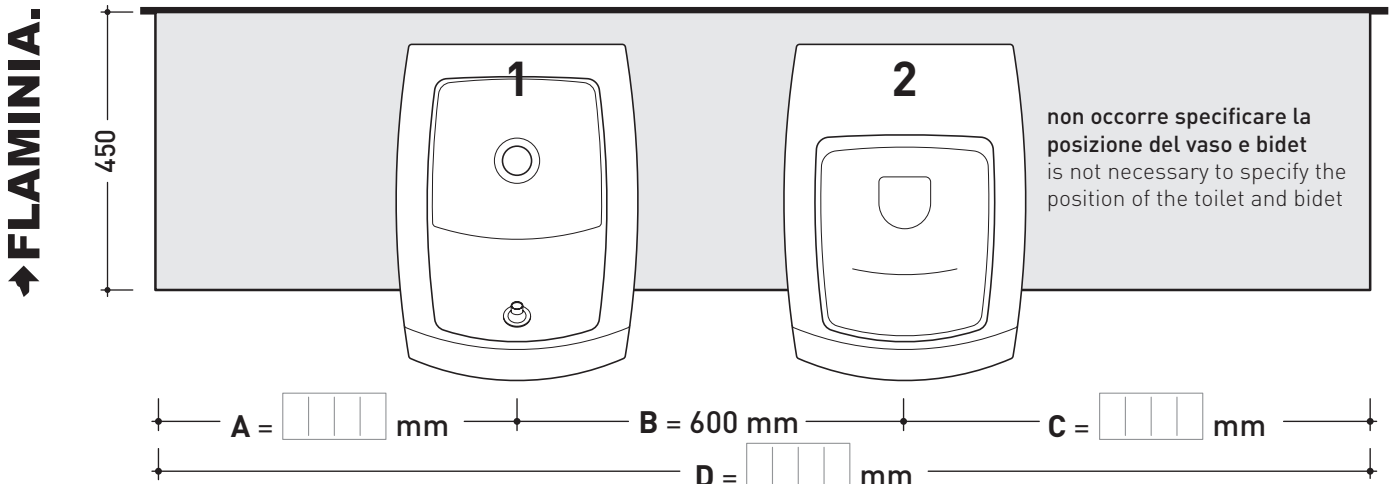
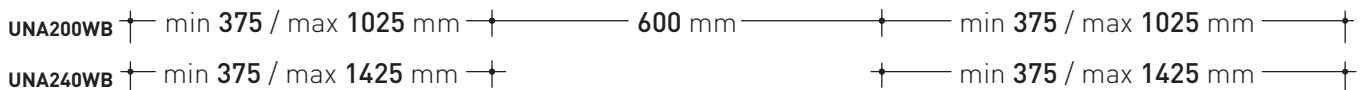
- rovere moro - dark oak
- rovere sbiancato - light oak

LEGNO FENOLICO da rivestire
MULTILAYER WOODEN to be covered

- 0 mm [resine speciali - special resins]
- 5 mm [gres porcellanato 3 mm
3 mm porcelain stoneware]
- 10 mm [piastrelle, gres porcellanato 8-12 mm
8-12 mm tiles, porcelain stoneware]
- 15 mm [piastrelle, gres porcellanato 12-14 mm
12-14 mm tiles, porcelain stoneware]
- 20 mm [marmo e materiali lapidei 20 mm
20 mm marble and stone materials]

➔➔ **4**

SCelta MISURE / MEASURES



- A = misura interasse da sinistra sanitario 1 / left distance of sanitaryware 1.
- B = misura obbligata interasse sanitari / fixed distance between sanitaryware.
- C = misura interasse da destra sanitario 2 / right distance of sanitaryware 2.
- D = misura totale del mobile / total length of the case.
- verificare sempre che / verify that: **A + B + C = D.**