

VD60L Void 60

Countertop - wall hung basin cm 60

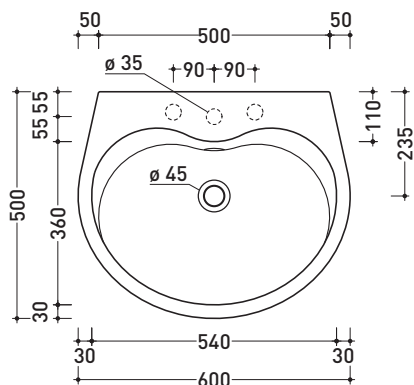
•WITH OVERFLOW •ARRANGED FOR THREE HOLES TAP

Complements: **Forty6 shelf (F6VD60)**
Solid shelf (SLVD60)
Furniture BOX - depth. 50
Line taps basin: ONE - NOKÉ - FOLD - SI - X1
Line accessories: TWO - HOOP - NOKÉ - FOLD

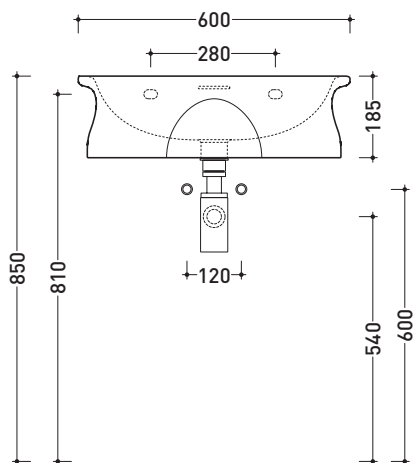
Technical accessories: **Chrome siphon (SIFL/CR) - Telescopic chrome siphon (SIFL066)**
Stop & Go drain (PLSG)
CERAMIC Stop & Go drain (PLCE)
Two piece set chrome tap filters (RF026)
Fixing kit for wall (9002)

Package dim. **61 x 19 x 51 cm** | Weight **20 kg** | Pz. Pallet n° **12**

CE UNI EN 14688 - CL20 Dop-No14688

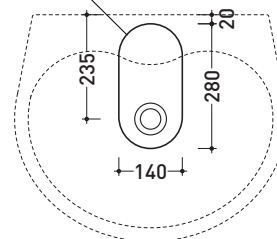


vista zenitale / zenital view

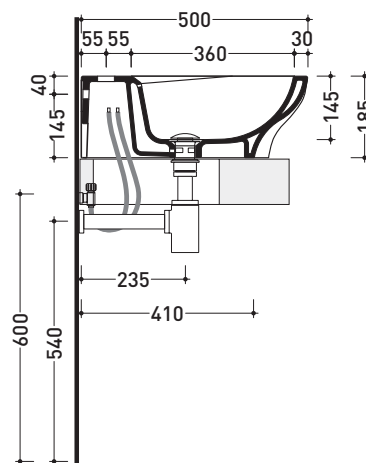


vista frontale / frontal view

foro consigliato sul piano
suggested hole on the top



vista zenitale / zenital view



sezione longitudinale / section

sizes in mm

Please consider a 2% tolerance on indicated measurements

CERAMIC: glossy finish

matt finish



white



milky white

FOR THE COLORS MARKED
ASK FOR AVAILABILITY