

design FLAMINIA DESIGN TEAM

1990

## 6007 Efi 64

Single-hole basin 64 cm suitable for pedestal

• WITH OVERFLOW • ARRANGED FOR THREE HOLES TAP

## 6009

Ceramic pedestal suitable for Efi 64 basin

Complements: Line taps basin: EVERGREEN  
Line accessories: EVERGREEN

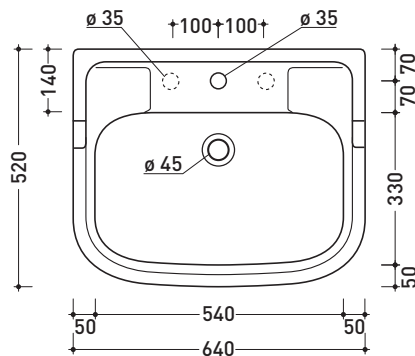
Technical accessories: Chrome siphon (SIFL/CR) - Telescopic chrome siphon (SIFL066)  
Stop & Go drain (PLSG)  
Ceramic Stop & Go drain (PLCE)  
Two piece set chrome tap filters (RF026)  
Wall fixing kit (9002)

Package dim. basin	Weight 21,3 kg	Pz. Pallet n° 24
--------------------	----------------	------------------

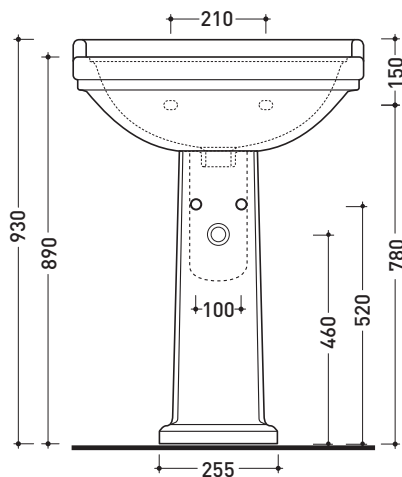
Package dim. pedestal	Weight 11,5 kg	Pz. Pallet n° 30
-----------------------	----------------	------------------



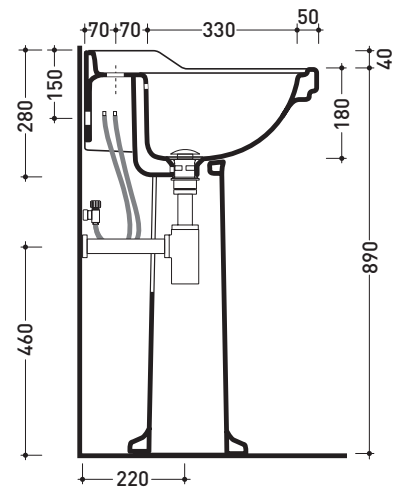
UNI EN 14688 - CL20 Dop-No14688



vista zenitale / zenital view



vista frontale / frontal view



sezione longitudinale / section

sizes in mm

CERAMIC: glossy finish



matt finish



Please consider a 2% tolerance on indicated measurements