

Water Drop

→ FLAMINIA.

design **LUCA CIMARRA**

2005

DR120 Water Drop 120

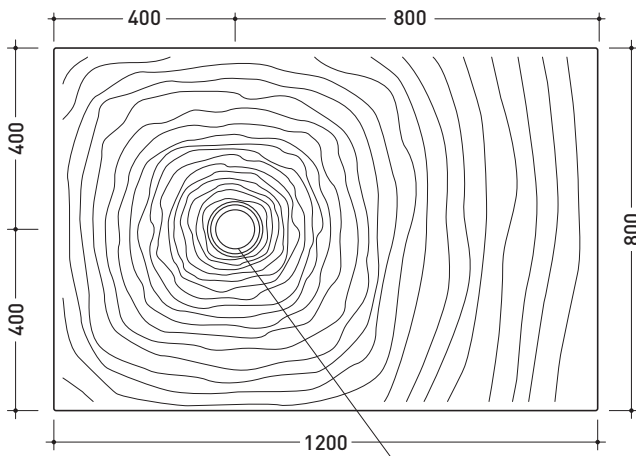
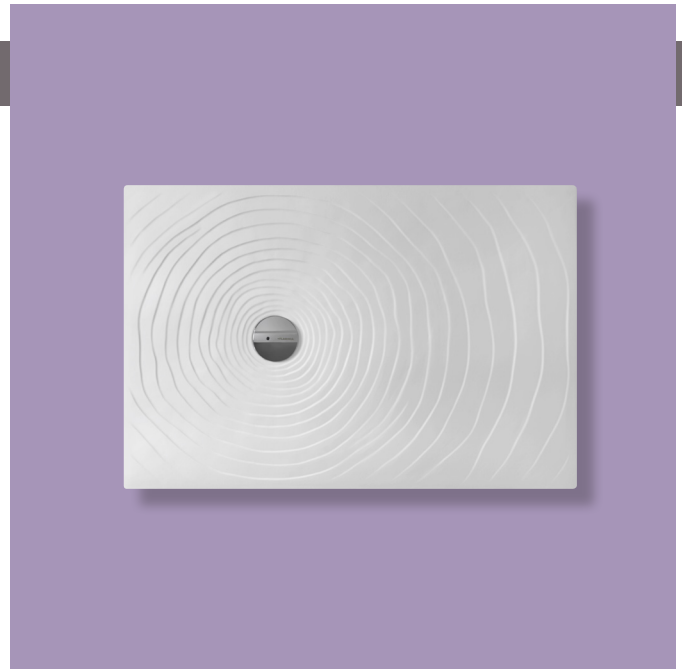
Laid on or built-in in the floor reversible shower tray 120x80 cm
(\varnothing 90mm drainage system not included)

Complements: **Line taps shower:** ONE - NOKÉ - SI - FOLD - X1
Line accessories: TWO - HOOP - NOKÉ - FOLD

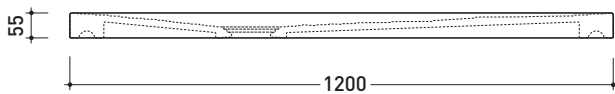
Technical accessories: **drainage system with CHROME cover \varnothing 90mm (PLFR)**
drainage system with CERAMIC cover \varnothing 90mm (PLFC)

Package dim. 120,5 x 55 x 83 cm | Weight 50 kg | Pz. Pallet n° 10

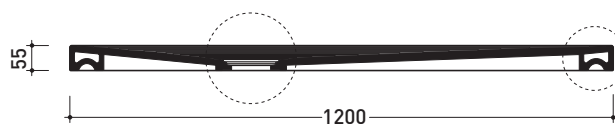
CE UNI EN 14527 Dop-No14527



vista zenitale / zenital view

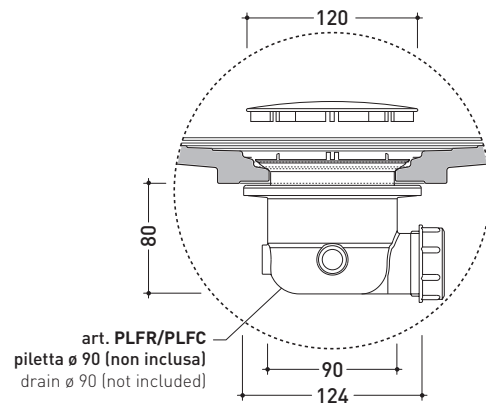


vista frontale / frontal view



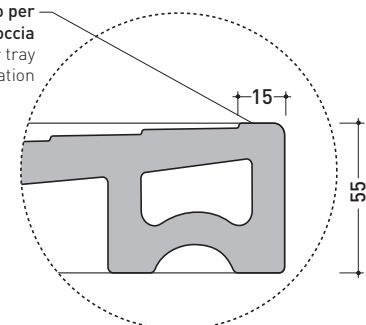
sezione longitudinale / section

PILETTA CONSIGLIATA / SUGGESTED DRAIN



Piletta sifonata / Drainage
Portata / Flow rate: 0,52 l/sec (EN 274 > 0,4 l/sec)

bordo interno per
l'installazione del box doccia
inner rim of shower tray
for shower box installation



dettaglio del bordo / shower tray rim detail

sizes in mm

Please consider a 2% tolerance on indicated measurements

CERAMIC: glossy finish



white black

matt finish



milky white carbone grigio lava lava grey nuvola fango rosso rubens petrolio

<http://www.ceramicaflaminia.it/en/products/329-water-drop>

©ceramicaflaminiaspa - All rights reserved. Unauthorized copying, publication, reproduction as well as partial reproduction are prohibited

july 2021

