

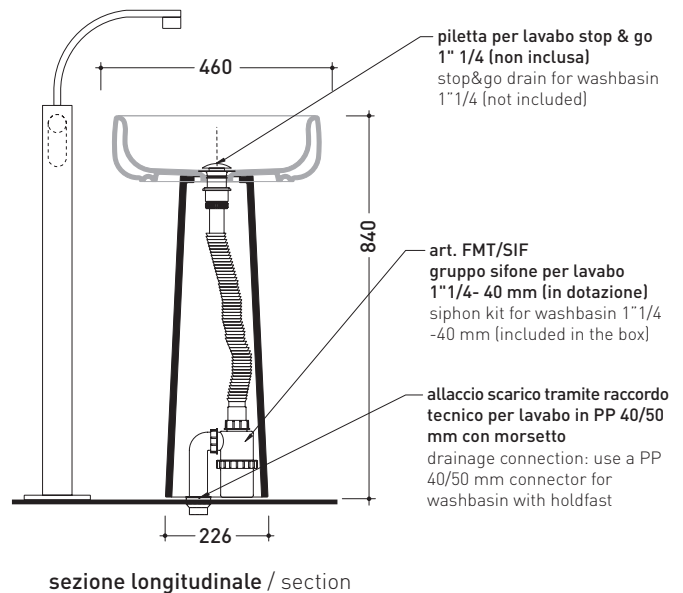
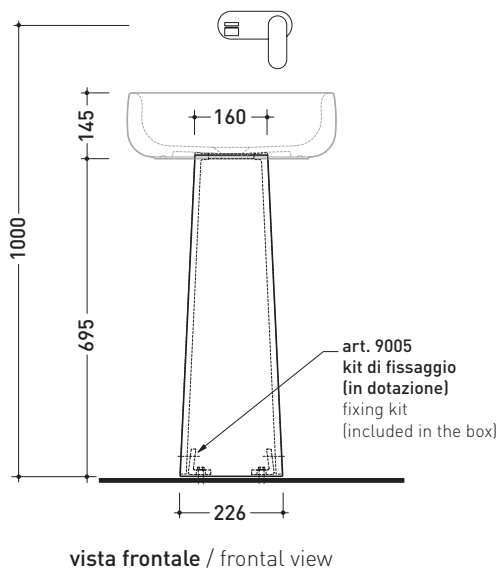
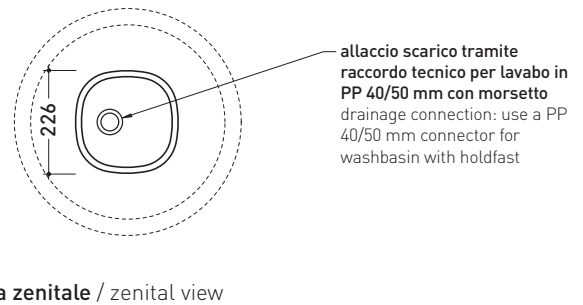
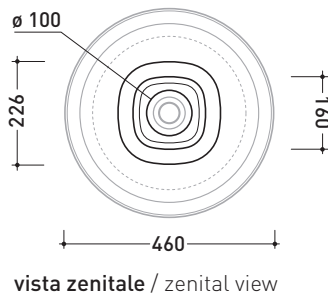
## BN50C + BN46A

**Pedestal suitable for Bonola 46 basin**  
(floor fixing kit art. 9005 and siphon art. FMT/SIF included)

Complements: **Bonola 46 basin (BN46A)**  
**Bonola 50 basin (BN50A)**  
**Line taps basin: ONE - NOKÉ - SI - FOLD - X1**  
**Line accessories: TWO - HOOP - NOKÉ - FOLD**

Technical accessories: **Stop & Go drain (PLSG)**  
**CERAMIC Stop & Go drain (PLCE)**  
**Chrome waste with automatic integrated overflow (PLTPCR)**  
**Waste with automatic integrated overflow and ceramic cover (PLTPCE)**

Package dim. pedestal	25 x 25 x 76 cm	Weight 15 kg	Pz. Pallet n° 16
Package dim. basin	53 x 17,5 x 49 cm	Weight 12,5 kg	Pz. Pallet n° 28



sizes in mm

Please consider a 2% tolerance on indicated measurements

CERAMIC: glossy finish



matt finish

