

MWL40 + MWS40 Miniwash 40

Wall fixing bracket + countertop basin 40 cm

• WITHOUT OVERFLOW • WITHOUT TAP LEDGE

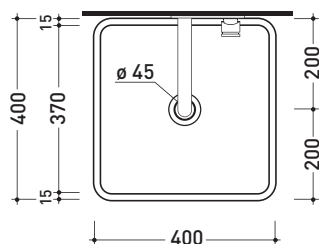
Complements: **Line taps basin:** ONE - NOKÈ - SI - X1
Line accessories: TWO - HOOP - NOKÈ - FOLD

Technical accessories: **Chrome siphon (SIFL/CR) - Telescopic chrome siphon (SIFL066)**
Stop & Go drain (PLSG)
CERAMIC Stop & Go drain (PLCE)
Chrome waste with automatic integrated overflow (PLTPCR)
Waste with automatic integrated overflow and ceramic cover (PLTPCE)

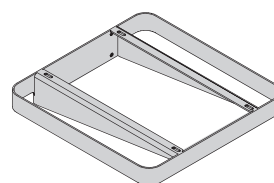
Package dim. basin: 40, 5 x 14, 5 x 42 cm | Weight 11,5 kg | Pz. Pallet n° 42

Package dim. bracket: 42 x 18 x 44 cm | Weight 3 kg | Pz. Pallet n° -

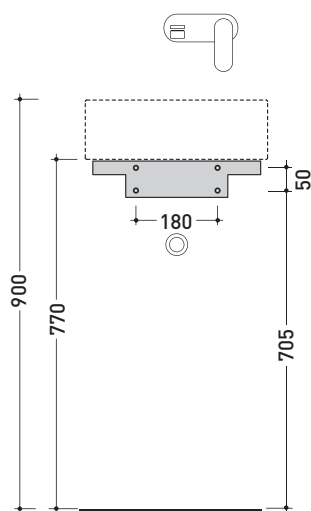
CE UNI EN 14688 - CL00 Dop-No14688



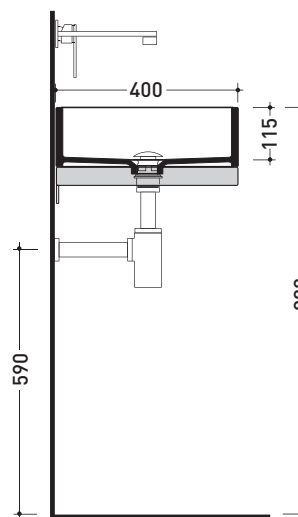
vista zenitale / zenital view



staffa di fissaggio MWS40
MWS40 fixing bracket



vista frontale fissaggio staffa
fixing bracket frontal view



sezione longitudinale / section

sizes in mm

STAINLESS STEEL: glossy finish



chrome

Please consider a 2% tolerance on indicated measurements