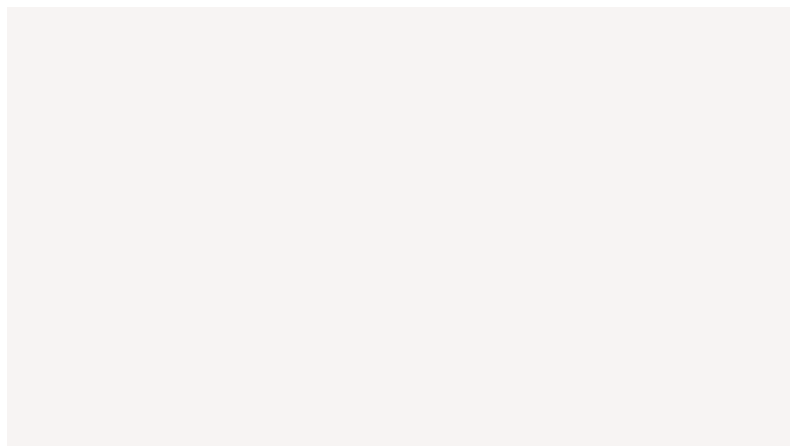


PLFR

Drainage system with CHROME cover (ø 90 mm)



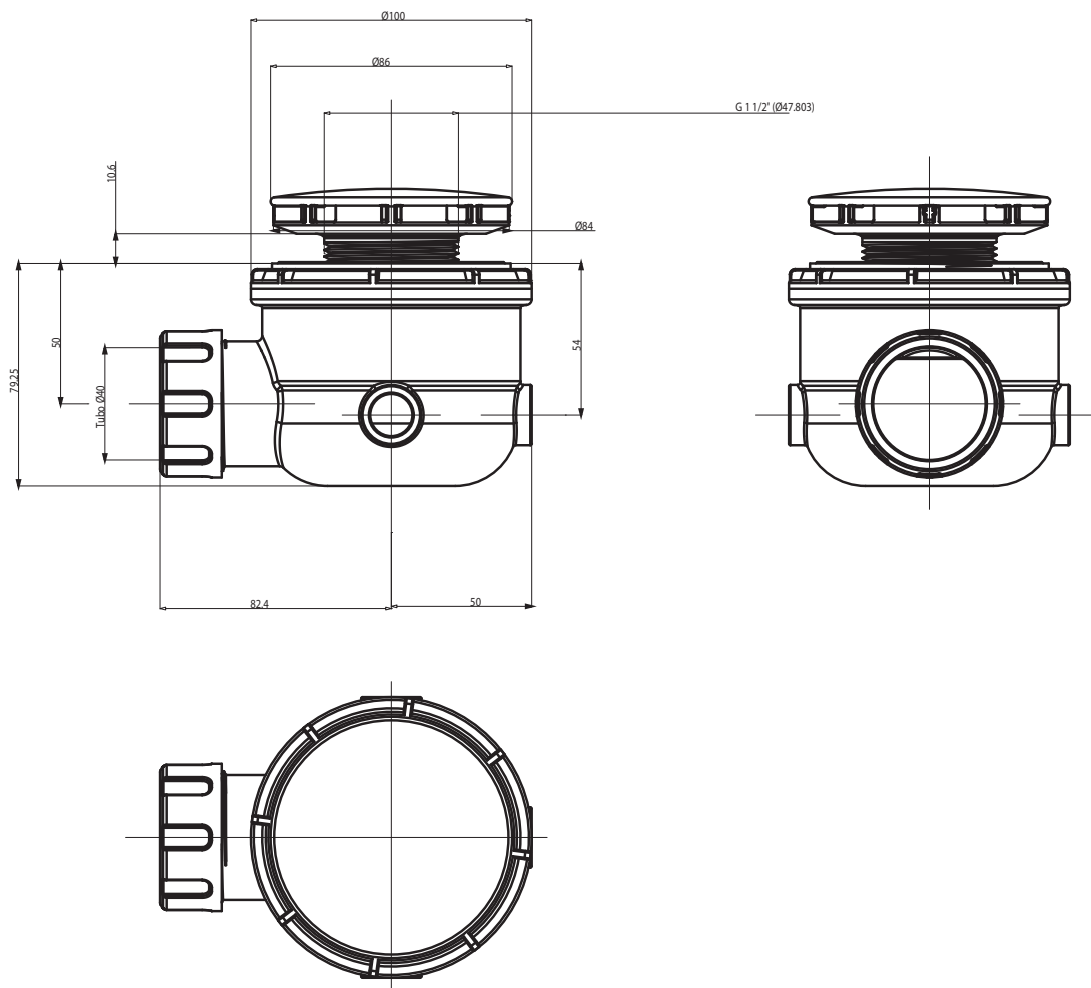
Package dim.

Weight 0,5 kg

Pz. Pallet n° -



CE



sizes in mm

ABS: glossy finish



chrome