

design **PATRICK NORGUET**

2013

NL40A Nile 40

Countertop basin cm 40

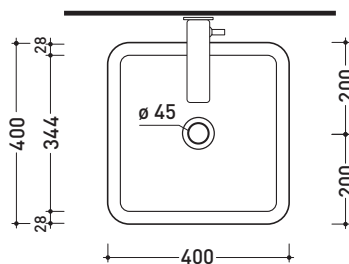
• WITHOUT OVERFLOW

Complements: **Forty6 shelf (F6NL)**
Solid shelf (SLNL)
Filo 60 metal structure (FI60SV)
Furniture BOX - depth. 50
Line taps basin: ONE - NOKÉ - FOLD - SI - X1
Line accessories: TWO - HOOP - NOKÉ - FOLD

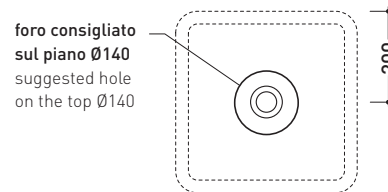
Technical accessories: **Chrome siphon (SIFL/CR) - Telescopic chrome siphon (SIFL066)**
Stop & Go drain (PLSG)
CERAMIC Stop & Go drain (PLCE)
Two piece set chrome tap filters (RF026)

Package dim. | Weight **kg 9** | Pz. Pallet n° **48**

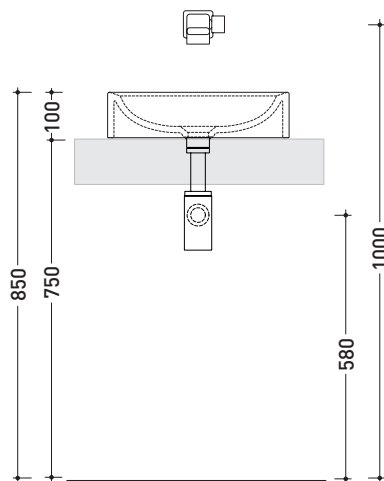
UNI EN 14688 - CL00 **Dop-No14688**



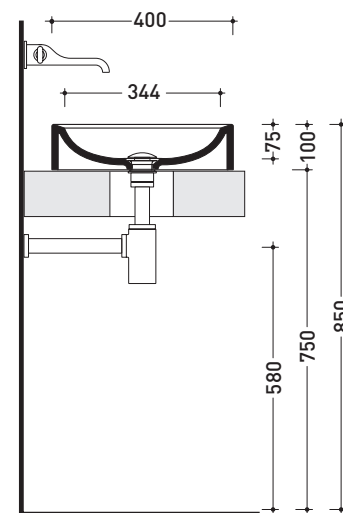
vista zenitale / zenital view



vista zenitale / zenital view



vista frontale / frontal view



sezione longitudinale / section

sizes in mm

Please consider a 2% tolerance on indicated measurements

CERAMIC: glossy finish



white black

matt finish



milky white graphite lava grey

METAL



white / gold white / platinum