

design **ALEXANDER DURINGER** and **STEFANO ROSINI** 2004

**IO70**

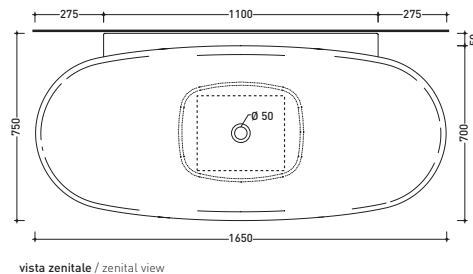
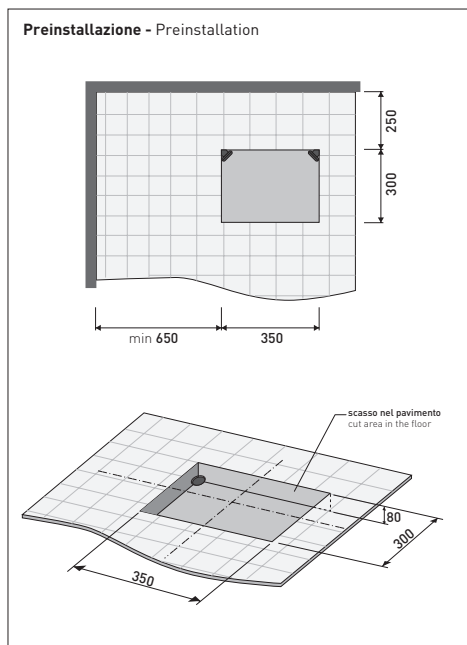
**Pietraluce bath-tub 165 cm with back to wall shelf**  
 - drain cover matching color the bathtub  
 (drainage system and fixing kit included art. SIFVA)

Complements: **Line taps bath-tub:** ONE - NOKÉ - SI - FOLD - X1  
**Line accessories:** TWO - HOOP - NOKÉ - FOLD

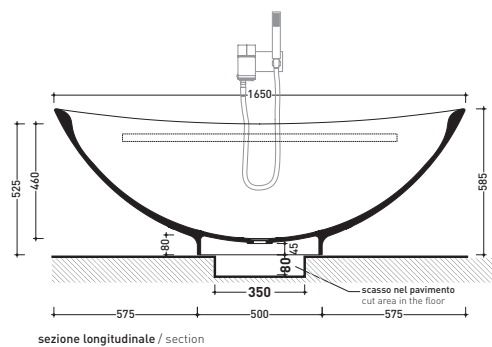
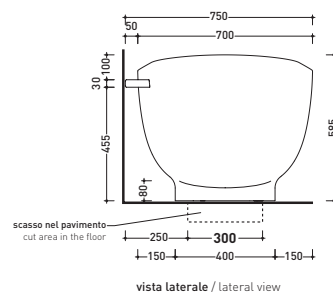
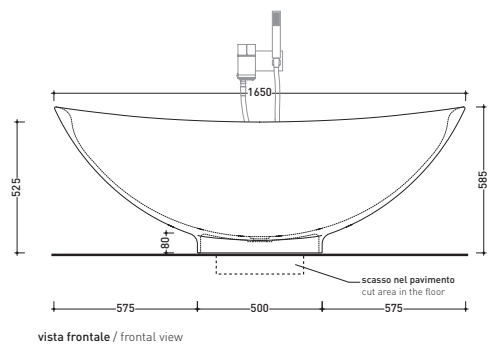
Package dim. **190 x 85 x 72 cm** | Weight **140 kg** | Pz. Pallet n° **1**



UNI EN 14516 - CLO Dop-No14516



**Capacità Max / Max Capacity 140 L.**  
**Peso Netto / Net Weight 110 Kg.**



sizes in mm

**PIETRALUCE:** glossy finish



**matt finish**

