

QK117G

Back to wall wc with **goclean®** system S/P trap
(drainage connectors art. LK1012 included)

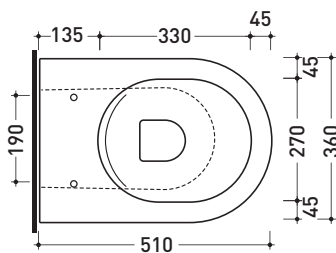
Complements: **Soft-closing thermosetting wrapping seat&cover** (QKCW03)
Soft-closing thermosetting wrapping seat&cover (QKCW07)
SLIM soft-closing thermosetting seat&cover (QKCW05)
SLIM soft-closing thermosetting seat&cover (QKCW09)
Niagara monoblock cistern (TR38)
Line accessories: TWO - HOOP - NOKÈ - FOLD

Technical accessories: **Floor fixing kit** (9003)

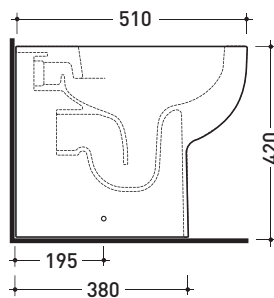
Package dim. | Weight **24,5 kg** | Pz. Pallet n° **18**



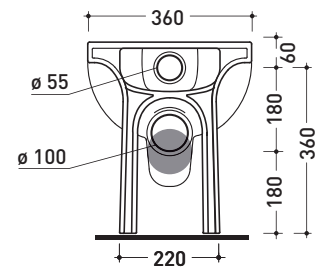
CE UNI EN 997 Dop-No997



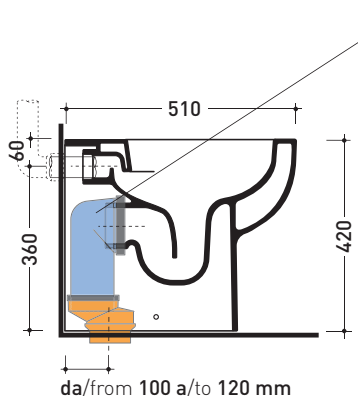
vista zenitale / zenital view



vista laterale / lateral view

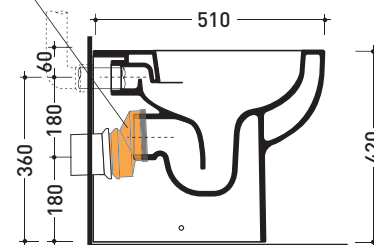


vista retro / back view



sezione longitudinale / section

art. LK1012 (LKR90+LKR40)
 connessioni di scarico
 (in dotazione)
 drainage connector
 (included in the box)



sezione longitudinale / section

sizes in mm

Please consider a 2% tolerance on indicated measurements

CERAMIC: glossy finish



white

FLAMINIA does not recommend combining this toilet model with rapid-flow/flushometer systems or traditional high tanks