

ND60PR Nudaslim 60

Countertop - wall hung basin 60 cm with tap ledge

•WITH OVERFLOW •ARRANGED FOR THREE HOLES TAP

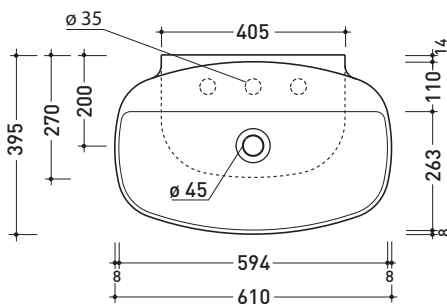
Complements: **Box wall hung vanity units depth 37 cm**
Line taps basin: ONE - NOKÈ - FOLD - X1
Line accessories: TWO - HOOP - NOKÈ - FOLD

Technical accessories: **Chrome siphon (SIFL/CR) - Telescopic chrome siphon (SIFL066)**
Stop & Go drain (PLSG)
Two piece set chrome tap filters (RF026)
CERAMIC Stop & Go drain (PLCE)
Fixing kit for wall (9002)

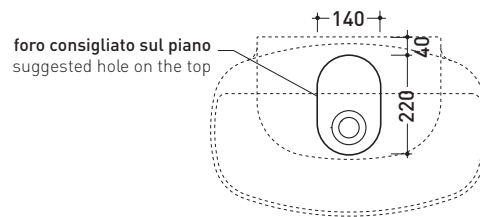
Package dim. | Weight **12,5 kg** | Pz. Pallet n° **12**



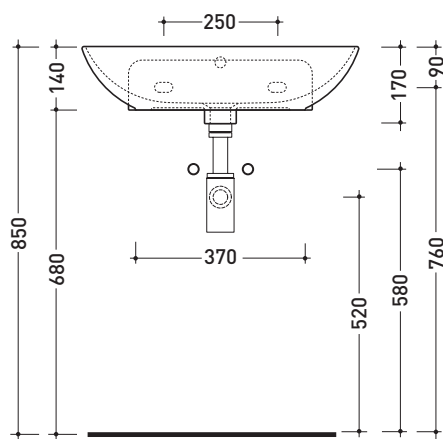
CE UNI EN 14688 - CL20 Dop-No14688



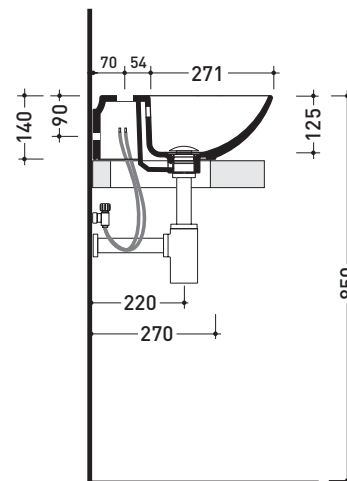
vista zenitale / zenital view



foro consigliato sul piano
suggested hole on the top



vista frontale / frontal view



sezione longitudinale / section

sizes in mm

Please consider a 2% tolerance on indicated measurements

CERAMIC: glossy finish

matt finish



white black



milky white graphite antracite lava grey argilla nuvola fango rosso rubens petrolio