

design LUDOVICA+ROBERTO PALOMBA

2017

ND60L Nudaslim 60

Countertop - wall hung basin 60 cm

•WITHOUT OVERFLOW •WITHOUT TAP LEDGE

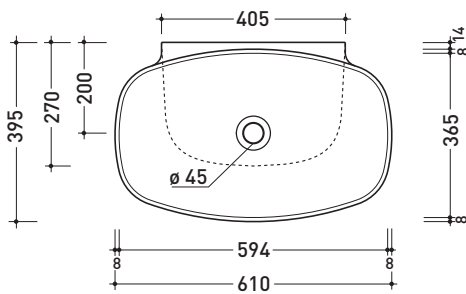
Complements: **Box wall hung vanity units depth 37 cm**
Line taps basin: ONE - NOKÈ - FOLD - X1
Line accessories: TWO - HOOP - NOKÈ - FOLD

Technical accessories: **Chrome siphon (SIFL/CR) - Telescopic chrome siphon (SIFL066)**
Stop & Go drain (PLSG)
CERAMIC Stop & Go drain (PLCE)
Fixing kit for wall (9002)

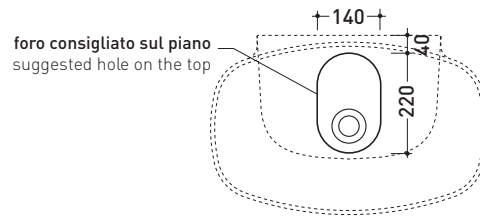
Package dim. | Weight **10 kg** | Pz. Pallet n° **12**



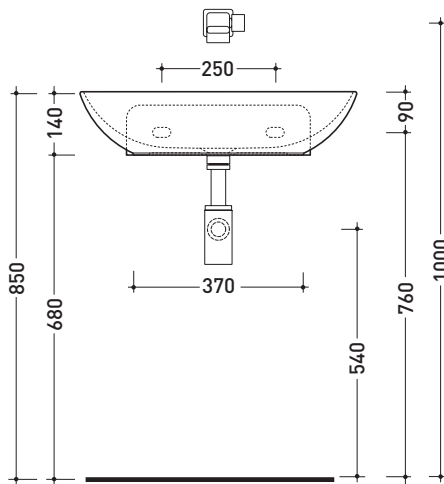
CE UNI EN 14688 - CL00 Dop-No14688



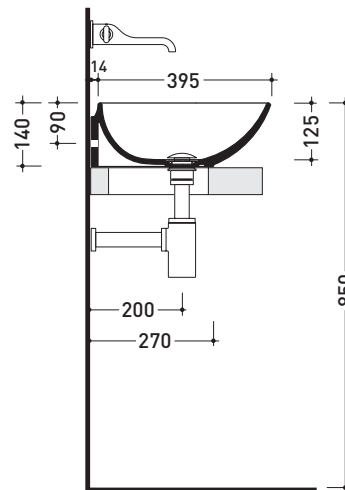
vista zenitale / zenital view



vista zenitale / zenital view



vista frontale / frontal view



sezione longitudinale / section

sizes in mm

Please consider a 2% tolerance on indicated measurements

CERAMIC: glossy finish



matt finish



<http://www.ceramicaflaminia.it/en/products/306-nuda>

©ceramicaflaminiaspa - All rights reserved. Unauthorized copying, publication, reproduction as well as partial reproduction are prohibited

july 2018

