

design GIULIO CAPPELLINI and ROBERTO PALOMBA

1999

LK217

Back to wall single-hole bidet (floor fixing kit art. 9003 included)

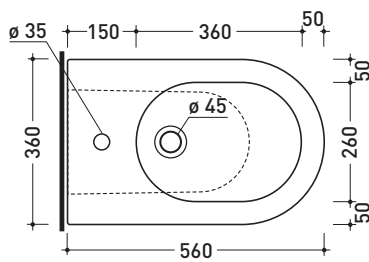
• WITH OVERFLOW • WITHOUT HOLE/3 TAP HOLE ON DEMAND

Complements: **Niagara panel bidet (TR40)**
Line taps bidet: ONE - NOKÈ - SI - FOLD - X1
Line accessories: TWO - HOOP - NOKÈ - FOLD

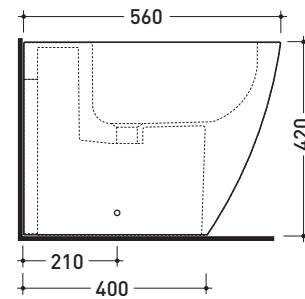
Technical accessories: **Short chrome siphon for bidet (SIFB/CR)**
Stop & Go drain (PLSG)
Stop&Go CERAMIC drain (PLCE)
Two piece set chrome tap filters (RF026)

Package dim. 56,5 x 37 x 43,5 cm | Weight 29,5 kg | Pz. Pallet n° 15

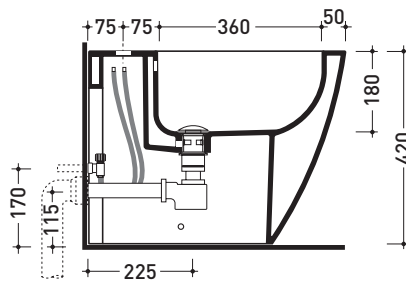
UNI EN 14528 - CL20 Dop-No14528



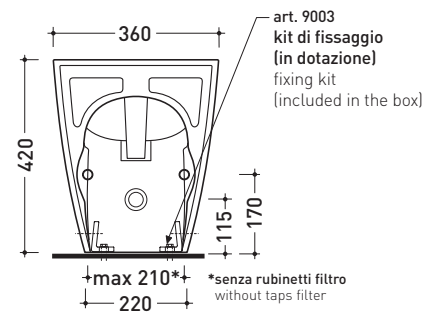
vista zenitale / zenital view



vista laterale / lateral view



sezione longitudinale / section



vista retro / back view

sizes in mm

CERAMIC: glossy finish



white black

matt finish



milky white carbone lava grey fango argilla cenere

Please consider a 2% tolerance on indicated measurements