

design **RODOLFO DORDONI**

2010

CM54L Como 54

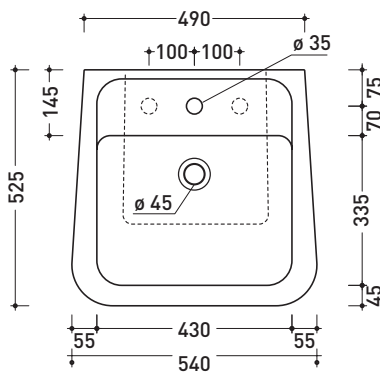
Countertop - wall hung basin 54 cm

Complements: **Forty6 shelf (F6CM54L)**
Line taps basin: ONE - NOKÉ - FOLD - X1
Line accessories: TWO - HOOP - NOKÉ - FOLD

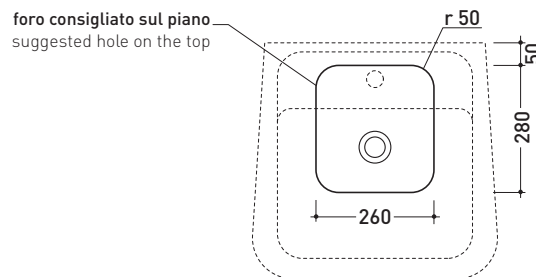
Technical accessories: **Chrome siphon (SIFL/CR) - Telescopic chrome siphon (SIFL066)**
Stop & Go drain (PLSG)
CERAMIC Stop & Go drain (PLCE)
Two piece set chrome tap filters (RF026)
Fixing kit for wall (9002)

Package dim. **54,5 x 21 x 53,5 cm** | Weight **21 kg** | Pz. Pallet n° **16**

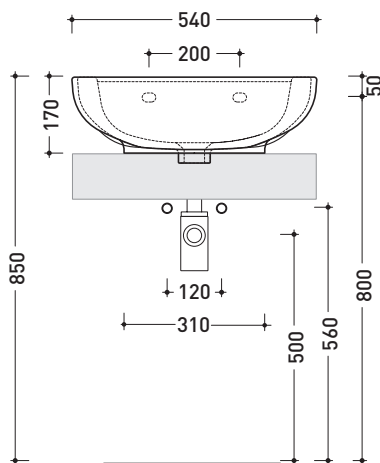
CE UNI EN 14688 - CL20 Dop-No14688



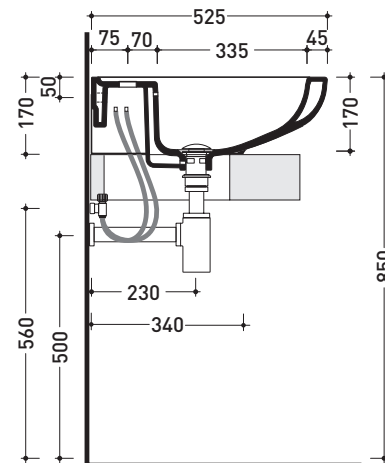
vista zenitale / zenital view



vista zenitale / zenital view



vista frontale / frontal view



sezione longitudinale / section

sizes in mm

Please consider a 2% tolerance on indicated measurements

CERAMIC: glossy finish



white black

matt finish



milky white graphite lava grey

FOR THE COLORS MARKED
ASK FOR AVAILABILITY