

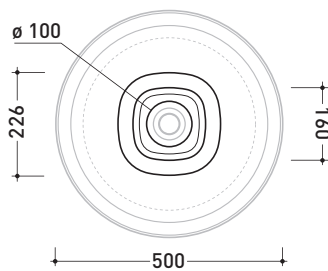
BN50C + BN50A

Pedestal suitable for Bonola 50 basin
(floor fixing kit art. 9005 and siphon art. FMT/SIF included)

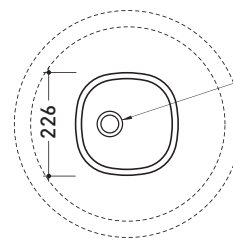
Complements: Bonola 46 basin (BN46A)
Bonola 50 basin (BN50A)
Line taps basin: ONE - NOKÉ - SI - FOLD - X1
Line accessories: TWO - HOOP - NOKÉ - FOLD

Technical accessories: Stop & Go drain (PLSG)
CERAMIC Stop & Go drain (PLCE)
Chrome waste with automatic integrated overflow (PLTPCR)
Waste with automatic integrated overflow and ceramic cover (PLTPCE)

Package dim. pedestal	25 x 25 x 76 cm	Weight	15 kg	Pz. Pallet n°	16
Package dim. basin	53 x 17,5 x 49 cm	Weight	15,3 kg	Pz. Pallet n°	18

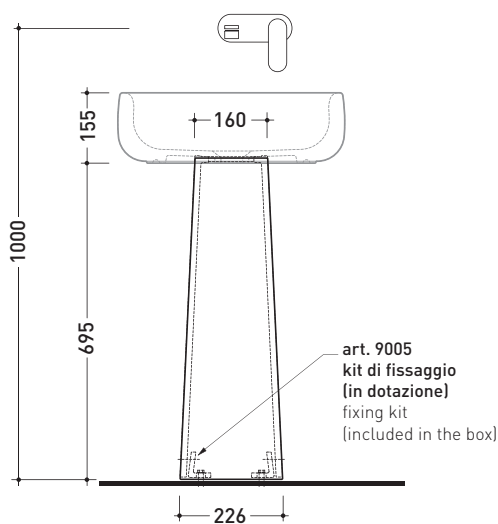


vista zenitale / zenital view

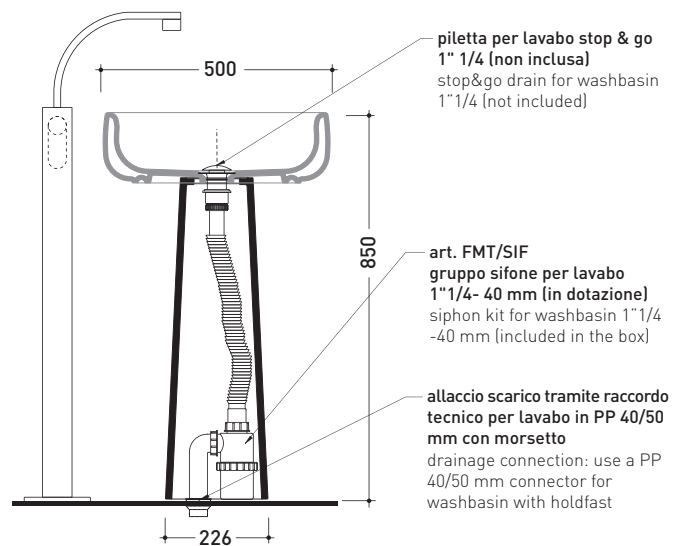


allaccio scarico tramite raccordo tecnico per lavabo in PP 40/50 mm con morsetto
drainage connection: use a PP 40/50 mm connector for washbasin with holdfast

vista zenitale / zenital view



vista frontale / frontal view



sezione longitudinale / section

sizes in mm

Please consider a 2% tolerance on indicated measurements

CERAMIC: glossy finish



white black

matt finish



milky white carbone lava grey argilla nuvola fango rosso rubens petrolio