

design **PAOLA NAVONE**

2011

## BL56L Boll 56

Countertop basin 56 cm

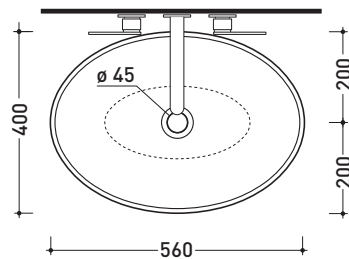
•WITHOUT OVERFLOW •WITHOUT TAP LEDGE

Complements: **Forty6 shelf (F6BL)**  
**Solid shelf (SLBL)**  
**Filo 60 metal structure (FI60SV)**  
**Filo 75 metal structure (FI75SV)**  
**Furniture BOX - depth. 37**  
**Furniture BOX - depth. 50**  
**Line taps basin: ONE - NOKÉ - SI - FOLD - X1**  
**Line accessories: TWO - HOOP - NOKÉ - FOLD**

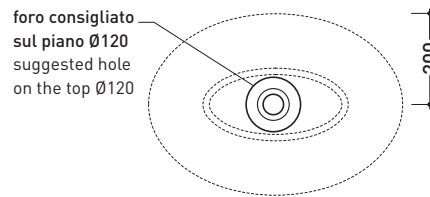
Technical accessories: **Chrome siphon (SIFL/CR) - Telescopic chrome siphon (SIFL066)**  
**Stop & Go drain (PLSG)**  
**CERAMIC Stop & Go drain (PLCE)**  
**Two piece set chrome tap filters (RF026)**

Package dim. **56,5 x 43 x 18,5 cm** | Weight **10 kg** | Pz. Pallet n° **24**

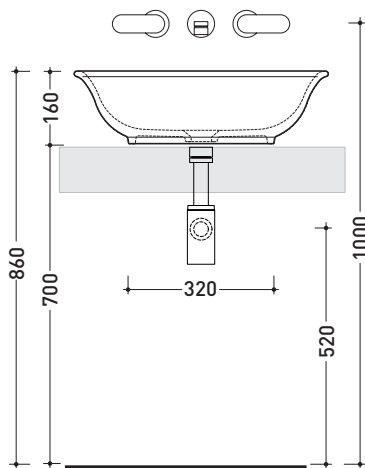
CE UNI EN 14688 - CL00 **Dop-No14688**



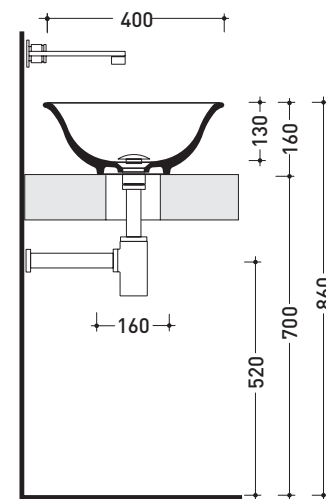
vista zenitale / zenital view



vista zenitale / zenital view



vista frontale / frontal view



sezione longitudinale / section

sizes in mm

Please consider a 2% tolerance on indicated measurements

CERAMIC: glossy finish



matt finish



<http://www.ceramicaflaminia.it/en/lines/278-boll>

©ceramicaflaminiaspa - All rights reserved. Unauthorized copying, publication, reproduction as well as partial reproduction are prohibited

april 2020

