

5088 Acquababy

Countertop - wall hung basin 38,5 cm

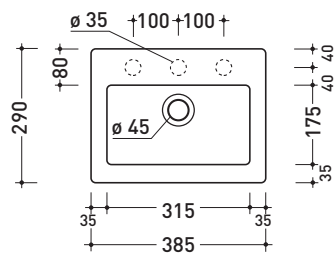
• WITH OVERFLOW • ARRANGED FOR THREE HOLES TAP

Complements: **Line taps basin:** ONE - NOKÉ - SI - FOLD - X1
Line accessories: TWO - HOOP - NOKÉ - FOLD

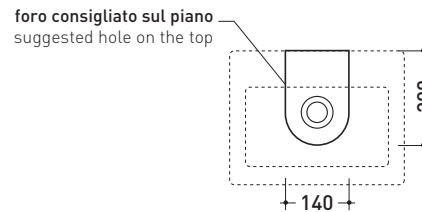
Technical accessories: **Chrome siphon (SIFL/CR) - Telescopic chrome siphon (SIFL066)**
Stop & Go drain (PLSG)
CERAMIC Stop & Go drain (PLCE)
Two piece set chrome tap filters (RF026)
Fixing kit for wall (9002)

Package dim. 45 x 20,5 x 36 cm | Weight 10,5 kg | Pz. Pallet n° 30

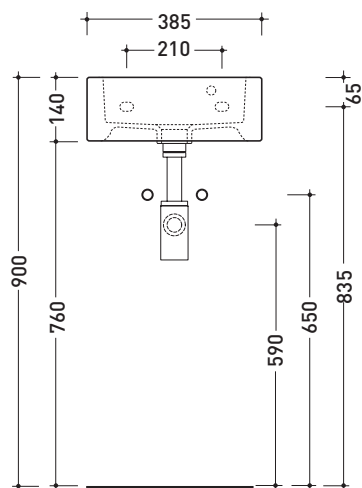
CE UNI EN 14688 - CL20 Dop-No14688



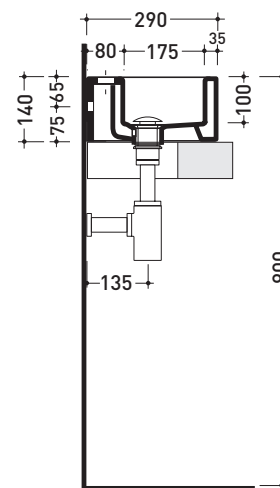
vista zenitale / zenital view



vista zenitale / zenital view



vista frontale / frontal view



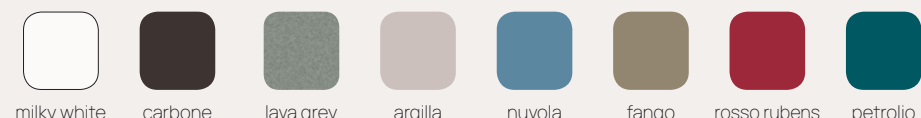
sezione longitudinale / section

sizes in mm

CERAMIC: glossy finish



matt finish



Please consider a 2% tolerance on indicated measurements