

design **LUCA CIMARRA**

2017

## DR8010 Water Drop 100x80

Laid on or built-in in the floor shower tray 80x100 cm  
( $\varnothing$  90mm drainage system not included)

Complements: **Line taps shower:** ONE - NOKÉ - SI - FOLD - X1  
**Line accessories:** TWO - HOOP - NOKÉ - FOLD

Technical accessories: drainage system with **CHROME** cover  $\varnothing$  90mm (PLFR)  
drainage system with **CERAMIC** cover  $\varnothing$  90mm (PLFC)

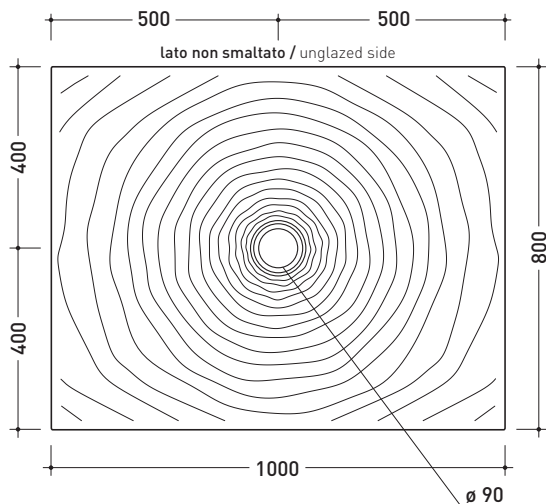
Dim. Imballo

Peso **39 kg**

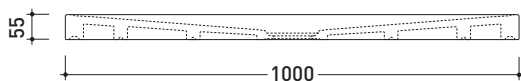
Pz. Pallet n° 10

CE UNI EN 14527

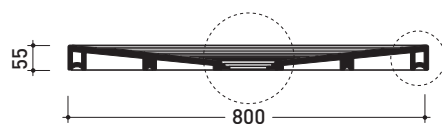
Dop-No14527



vista zenitale / zenital view

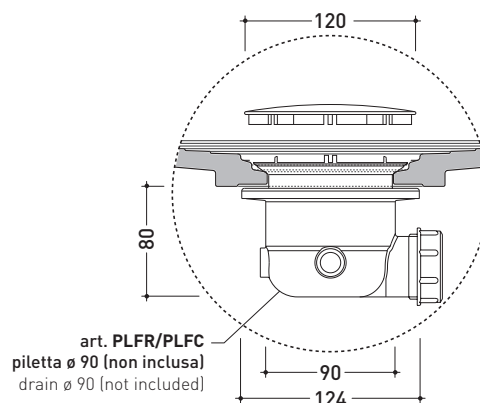


vista frontale / frontal view



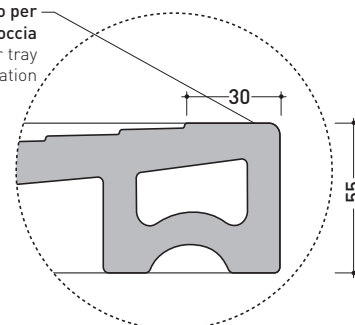
sezione longitudinale / section

### PILETTA CONSIGLIATA / SUGGESTED DRAIN



Piletta sifonata / Drainage  
Portata / Flow rate: **0,52 l/sec** (EN 274 >0,4 l/sec)

bordo interno per  
l'installazione del box doccia  
inner rim of shower tray  
for shower box installation



dettaglio del bordo / shower tray rim detail

sizes in mm

Please consider a 2% tolerance on indicated measurements

CERAMIC: glossy finish



white black

matt finish



milky white carbone grigio lava lava grey nuvola fango rosso rubens petrolio