

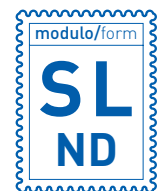
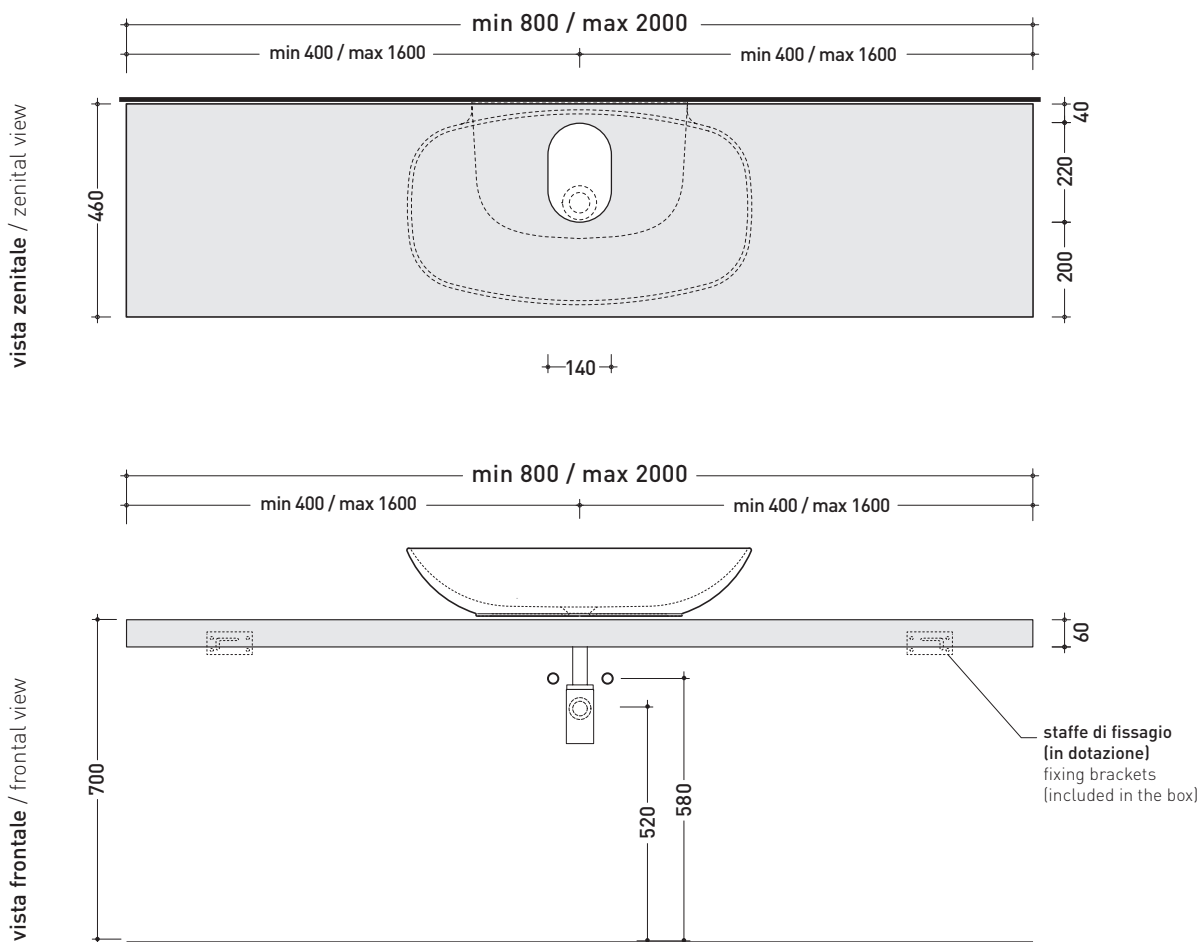
## SLND for NudaSlim 60/75 (ND60A - ND75A) Pass 39 (PS39LM) - Monò 54 (MN54L)

Shelf from 80 to 200 x 46 x h 6 cm suitable for NudaSlim 60/75,  
Pass 39 e Monò 54 (fixing brackets included)

Complements: **Make-Up mirrors and lamps**  
App mirros  
Simple mirros  
Hot/Cold mirror (SPHC)  
Left/Right mirror (SPLR)  
Line mirrors (BASC20 - BASC30 - BASC40)



Tap holes are not made on this article by Flaminia



REFERENCE TO  
THE COMPULSORY  
ORDER FORM

sizes in mm

**WOOD:** rustic finish



brown



MODULO PER LA REALIZZAZIONE DELLE MENSOLE **SOLID** A MISURA  
 PER ART. ND75L - ND75PR - ND60L - ND60PR - PS39LM - MN54L  
 SOLID CUSTOMIZED SHELVES FOR ART. ND75L - ND75PR - ND60L - ND60PR - PS39LM - MN54L FORM



**E' obbligatorio fotocopiare questa pagina, compilarla con cura e allegarla all'ordine.**  
 It is compulsory to photocopy this page, carefully fill in and attach to the order.

➔➔ **1**

**DETTAGLI ORDINE / ORDER DETAILS**

ordinante - buyer cliente - client

ordine - order n: \_\_\_\_\_ data - date: \_\_\_\_\_ ref.: \_\_\_\_\_

annotazioni - notes

➔➔ **2**

**SCelta ARTICOLO / ITEM CHOICE**

E' importante consultare prima la scheda tecnica relativa  
 It's important to consult before the technical detail

art. **SLND**  
 mensola / shelf da / from **80 a / to 200 cm**

➔➔ **3**

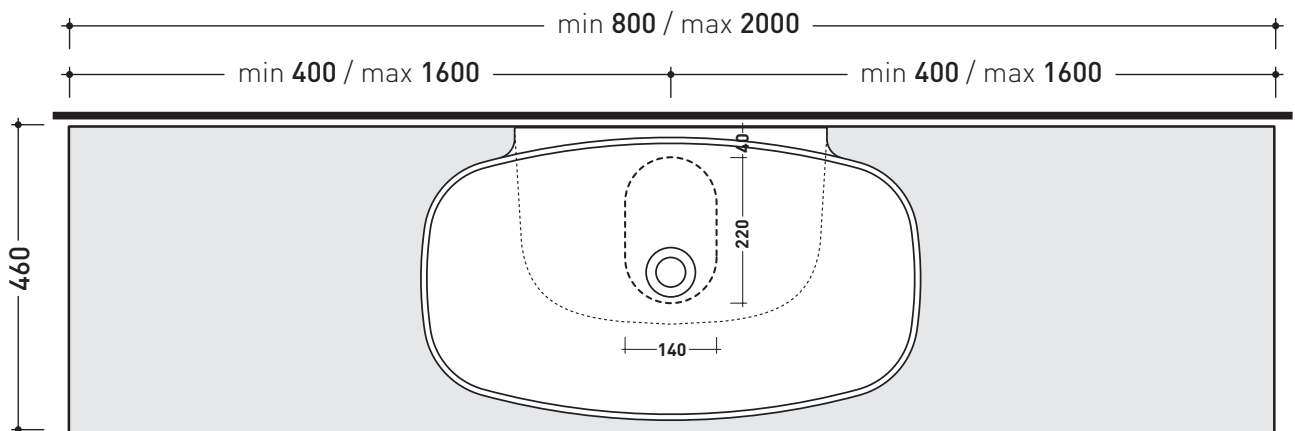
**SCelta MATERIALE / MATERIAL SELECTION**

**LEGNO RUSTICO / RUSTIC WOOD**

marrone - brown

➔➔ **4**

**SCelta MISURE / MEASURES**



➔ **FLAMINIA.**

lavabi / basins  
 ND75L - ND75PR - ND60L - ND60PR - PS39LM - MN54L



- A = misura interasse lavabo da sinistra / left distance of basin.
- B = misura interasse lavabo da destra / right distance of basin.
- C = misura totale della mensola / total length of the shelf.
- verificare sempre che / verify that: **A + B = C.**



MODULO PER LA REALIZZAZIONE DELLE MENSOLE **SOLID** A MISURA  
 PER ART. **ND75L - ND75PR - ND60L - ND60PR - PS39LM - MN54L**  
 SOLID CUSTOMIZED SHELVES FOR ART. **ND75L - ND75PR - ND60L - ND60PR - PS39LM - MN54L** FORM



**E' obbligatorio fotocopiare questa pagina, compilarla con cura e allegarla all'ordine.**  
 It is compulsory to photocopy this page, carefully fill in and attach to the order.

➔➔ **1**

**DETTAGLI ORDINE / ORDER DETAILS**

ordinante - buyer cliente - client

ordine - order n: \_\_\_\_\_ data - date: \_\_\_\_\_ ref.: \_\_\_\_\_

annotazioni - notes \_\_\_\_\_

➔➔ **2**

**SCELTA ARTICOLO / ITEM CHOICE**

E' importante consultare prima la scheda tecnica relativa  
 It's important to consult before the technical detail

art. **SLND**  
 mensola / shelf da / from 170 a / to 200 cm

➔➔ **3**

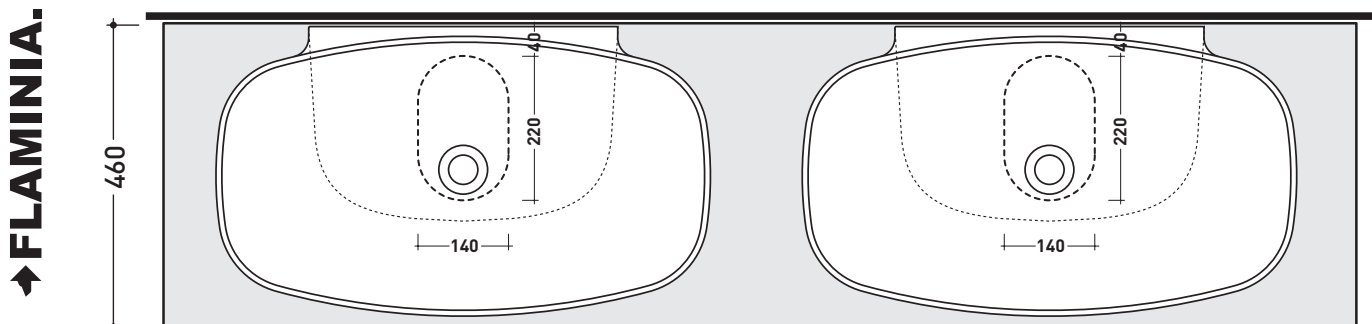
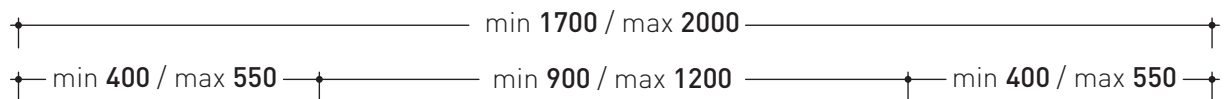
**SCELTA MATERIALE / MATERIAL SELECTION**

**LEGNO RUSTICO / RUSTIC WOOD**

marrone - brown

➔➔ **4**

**SCELTA MISURE / MEASURES**



lavabi / basins  
 ND75L - ND75PR - ND60L - ND60PR  
 PS39LM - MN54L

lavabi / basins  
 ND75L - ND75PR - ND60L - ND60PR  
 PS39LM - MN54L



- **A** = misura interasse lavabo da sinistra / left distance of basin.
- **B** = misura interasse lavabi / distance between basins.
- **C** = misura interasse lavabo da destra / right distance of basin.

- **D** = misura totale della mensola / total length of the shelf.
- verificare sempre che / verify that: **A + B + C = D.**