

NDS70

Reversible mirror 70x70 cm with integrated lighting

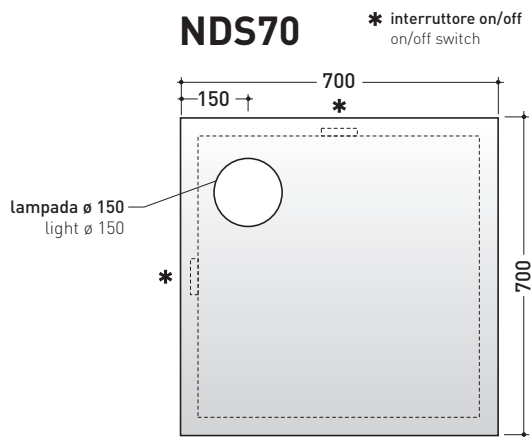
Package dim. 80 x 80 x 13 cm | Weight 10 kg | Pz. Pallet n° -

NDS90

Reversible mirror 90x90 cm with integrated lighting

Package dim. 100 x 97 x 13 cm | Weight 16 kg | Pz. Pallet n° -

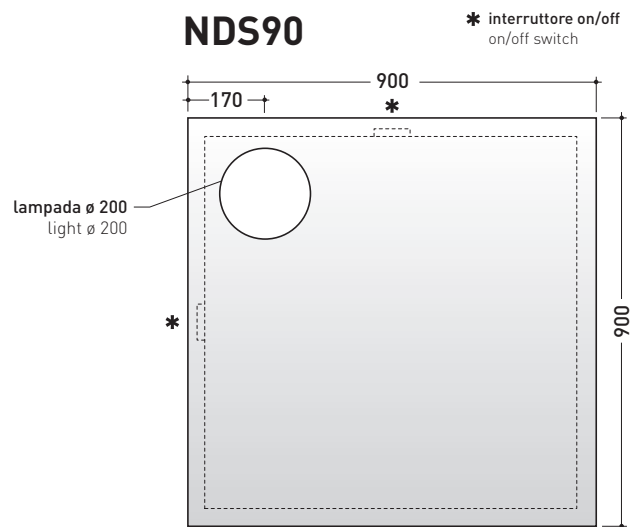
Complements: UNA furnishing
COMPONO SYSTEM furnishing
FORTY6- SOLID shelves



vista frontale / frontal view



vista zenitale / zenital view



vista frontale / frontal view



vista zenitale / zenital view

sizes in mm

ELECTRICAL CHARACTERISTICS

- type of lamp: **alogen lamp R7s**
- class: **D**
- Ip code: **IP44**
- rated power: **48 W**