

5080 Nuda 85

Countertop - wall hung basin 85 cm

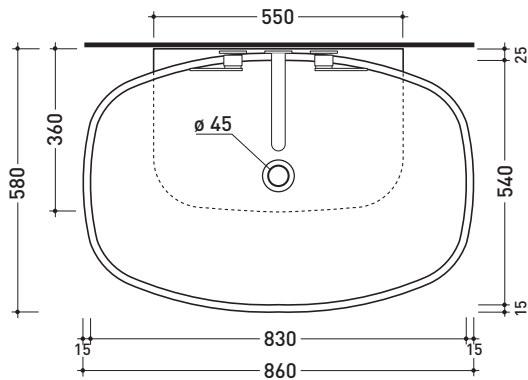
•WITHOUT OVERFLOW •WITHOUT TAP LEDGE

Complements: **Solid shelf (SL8081)**
Forty6 shelf (F68081)
Box wall hung vanity units depth 50 cm
Line taps basin: ONE - NOKÈ - SI - X1
Line accessories: TWO - HOOP - NOKÈ - FOLD

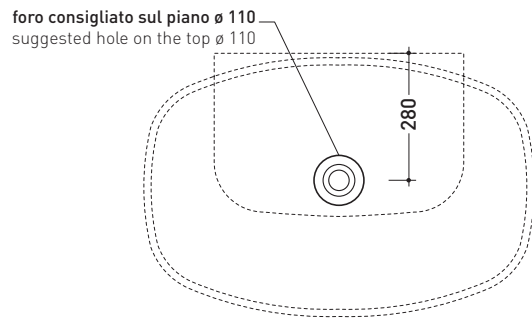
Technical accessories: **Chrome siphon (SIFL/CR) - Telescopic chrome siphon (SIFL066)**
Stop & Go drain (PLSG)
CERAMIC Stop & Go drain (PLCE)
Two piece set chrome tap filters (RF026)
Fixing kit for wall (9002)

Package dim. **87 x 18,5 x 59,5 cm** | Weight **28,6 kg** | Pz. Pallet n° **10**

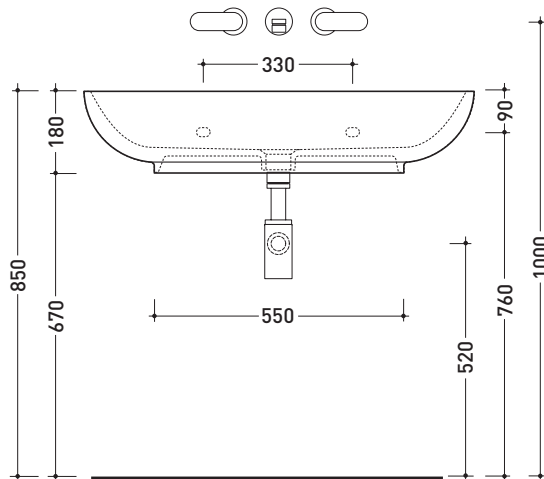
UNI EN 14688 - CL00 Dop-No14688



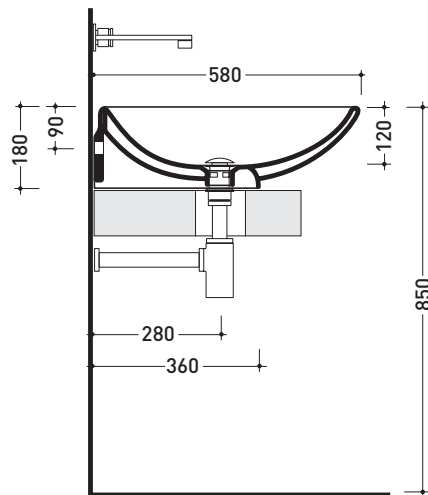
vista zenitale / zenital view



vista zenitale / zenital view



vista frontale / frontal view



sezione longitudinale / section

sizes in mm

Please consider a 2% tolerance on indicated measurements

CERAMIC: glossy finish

matt finish



white black



milky white graphite antracite lava grey argilla nuvola fango rosso rubens petrolio