

design LUDOVICA+ROBERTO PALOMBA

1997

## 5059222 Mini Twin 30

Countertop basin cm 27

•WITHOUT OVERFLOW •WITHOUT TAP LEDGE

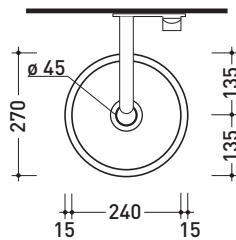
Complements: Line accessories: TWO - HOOP - NOKÈ - FOLD

Technical accessories: Chrome siphon (SIFL/CR) - Telescopic chrome siphon (SIFL066)  
 Stop & Go drain (PLSG)  
 Ceramic Stop&Go drain (PLCE)  
 Two piece set chrome tap filters (RF026)

Package dim. 25 x 15 x 33,5 cm | Weight 4,4 kg | Pz. Pallet n° 54

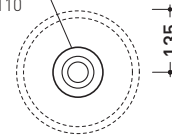


UNI EN 14688 - CL00 Dop-No14688

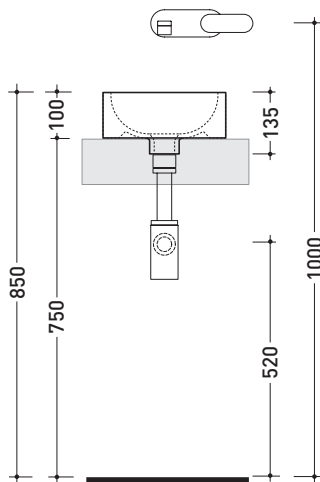


vista zenitale / zenital view

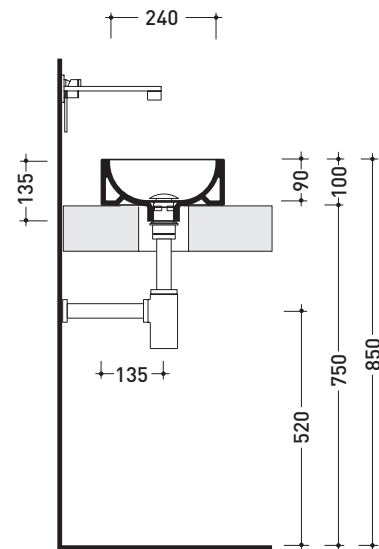
foro consigliato sul piano ø 110  
 suggested hole on the top ø 110



vista zenitale / zenital view



vista frontale / frontal view



sezione longitudinale / section

sizes in mm

Please consider a 2% tolerance on indicated measurements

CERAMIC: glossy finish

matt finish



FOR THE COLORS MARKED ASK FOR AVAILABILITY

<http://www.ceramicaflaminia.it/en/products/322-twin>

©ceramicaflaminiaspa - All rights reserved. Unauthorized copying, publication, reproduction as well as partial reproduction are prohibited

april 2020

