

design ROMANO ADOLINI

2006

## UNA75M1

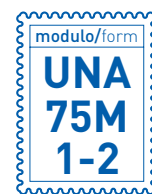
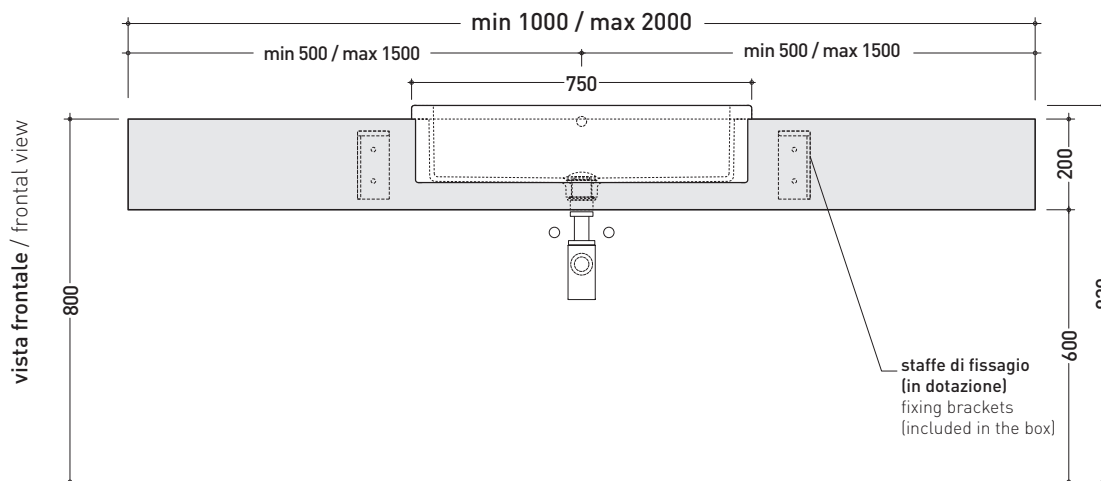
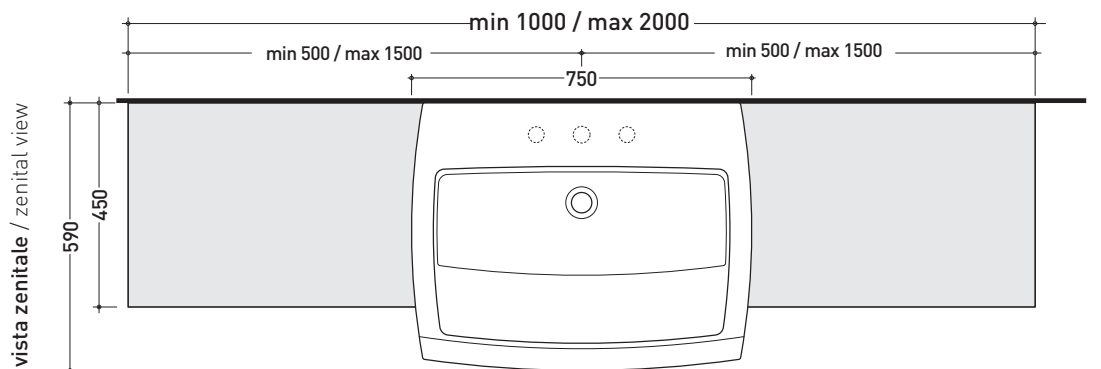
Shelf from 100 to 200 x 45 x h 20 cm  
suitable for UNA 75 semi-inset basin (wall fixing brackets included)

Complements: **Una 75 semi-inset basin (UNA75L)**  
**Line taps basin:** ONE - NOKÉ - FOLD - SI  
**Line accessories:** TWO - HOOP - NOKÉ - FOLD  
**SIMPLE mirrors**  
**APP mirrors**  
**Make-Up mirrors (MKS100 - MKS50 - MKS501)**  
**Hot/Cold mirror (SPHC)**  
**Left/Right mirror (SPLR)**  
**Line mirrors (BASC20 - BASC30 - BASC40)**



Tap holes are not made on this article by Flaminia

CE



REFERENCE TO  
THE COMPULSORY  
ORDER FORM

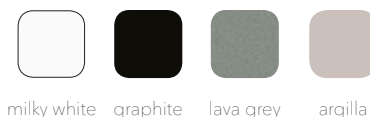
sizes in mm

Please consider a 2% tolerance on indicated measurements

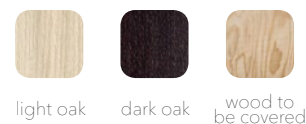
PIETRALUCE: finiture lucide



finiture opache



LEGNO: finiture

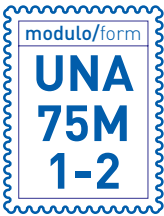


<http://www.ceramicaflaminia.it/en/products/325-una>

©ceramicaflaminiaspa - All rights reserved. Unauthorized copying, publication, reproduction as well as partial reproduction are prohibited

may 2019





MODULO PER LA REALIZZAZIONE DELLE MENSOLE **UNA** PER ART. UNA75L

**UNA** CUSTOMIZED SHELVES FOR ART. UNA75L FORM



**E' obbligatorio fotocopiare questa pagina, compilarla con cura e allegarla all'ordine.**  
It is compulsory to photocopy this page, carefully fill in and attach to the order.

➔➔ **1**

**DETTAGLI ORDINE / ORDER DETAILS**

ordinante - buyer \_\_\_\_\_ cliente - client \_\_\_\_\_

ordine - order n: \_\_\_\_\_ data - date: \_\_\_\_\_ ref.: \_\_\_\_\_

annotazioni - notes \_\_\_\_\_

➔➔ **2**

**SCelta ARTICOLO / ITEM CHOICE**

E' importante consultare prima la scheda tecnica relativa  
It's important to consult before the technical detail

- art. **UNA75M1**  
mensola / shelf da / from 100 a / to 200 cm
- art. **UNA75M2**  
mensola / shelf da / from 200 a / to 240 cm

➔➔ **3**

**SCelta MATERIALE / MATERIAL SELECTION**

**PIETRALUCE**

- |  |   |
|--|---|
| <input type="checkbox"/> bianco - white            | <input type="checkbox"/> sabbia - sand        |
| <input type="checkbox"/> grigio - grey             | <input type="checkbox"/> rosso cuoio - red    |
| <input type="checkbox"/> beige - beige             | <input type="checkbox"/> argilla - argilla    |
| <input type="checkbox"/> nero - black              | <input type="checkbox"/> latte - milky white  |
| <input type="checkbox"/> blu ultram. - marine blue | <input type="checkbox"/> gr. lava - lava grey |
| <input type="checkbox"/> grafite - graphite        |   |

**FINITURE LEGNO / WOOD FINISHES**

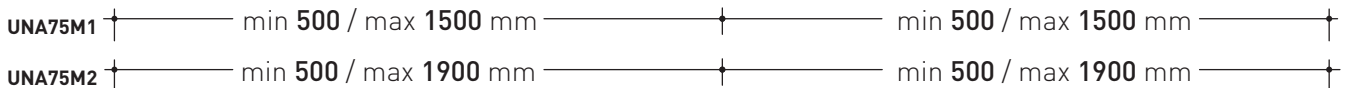
- rovere moro - dark oak
- rovere sbiancato - light oak

**LEGNO FENOLICO da rivestire**  
**MULTILAYER WOODEN to be covered**

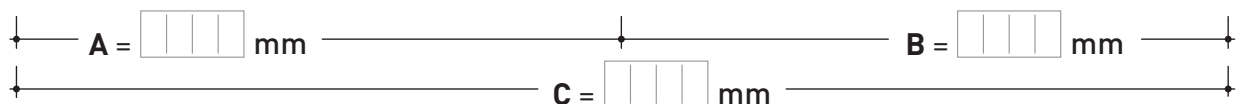
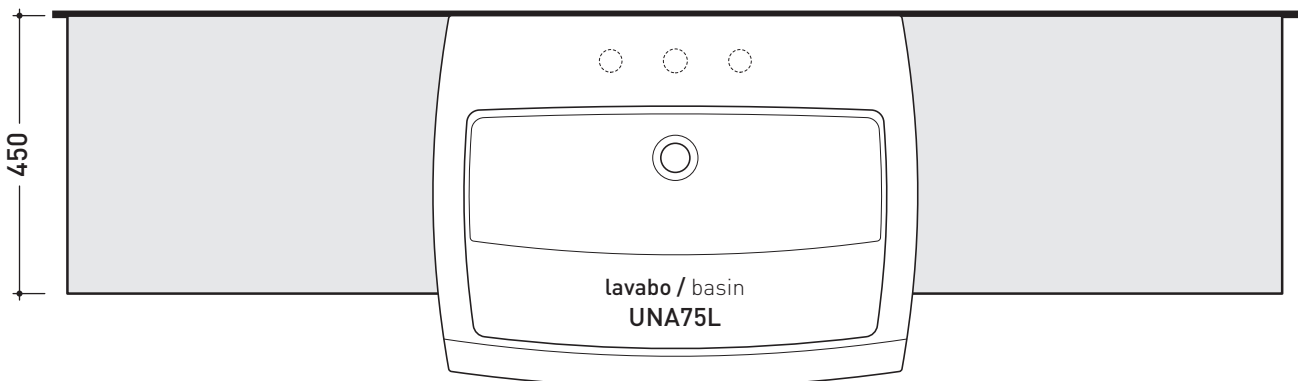
- 0 mm** [resine speciali - special resins]
- 5 mm** [gres porcellanato 3 mm  
3 mm porcelain stoneware]
- 10 mm** [piastrelle, gres porcellanato 8-12 mm  
8-12 mm tiles, porcelain stoneware]
- 15 mm** [piastrelle, gres porcellanato 12-14 mm  
12-14 mm tiles, porcelain stoneware]
- 20 mm** [marmo e materiali lapidei 20 mm  
20 mm marble and stone materials]

➔➔ **4**

**SCelta MISURE / MEASURES**



➔ **FLAMINIA.**



- A = misura interasse lavabo da sinistra / left distance of basin.
- B = misura interasse lavabo da destra / right distance of basin.
- C = misura totale della mensola / total length of the shelf.
- verificare sempre che / verify that: **A + B = C.**