

design ROMANO ADOLINI

2006

## UNA90L Una 90

Semi-inset basin 90 cm

•WITH OVERFLOW •ARRANGED FOR THREE HOLES TAP

Complements: **Una furnishing** (UNA90C1 - UNA90C2 - UNA90V1 - UNA90V2 - UNA90M1 - UNA90M2)

**Line taps basin:** ONE - NOKÉ - FOLD - SI

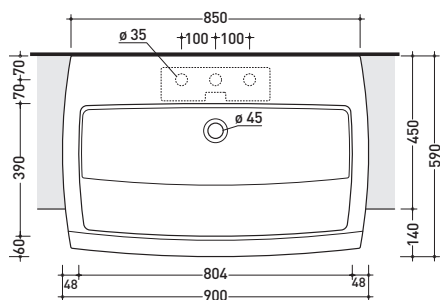
**Line accessories:** TWO - HOOP - NOKÉ - FOLD

Technical accessories: **Chrome siphon** (SIFL/CR) - **Telescopic chrome siphon** (SIFL066)  
**Stop & Go drain** (PLSG)  
**CERAMIC Stop & Go drain** (PLCE)  
**Two piece set chrome tap filters** (RF026)

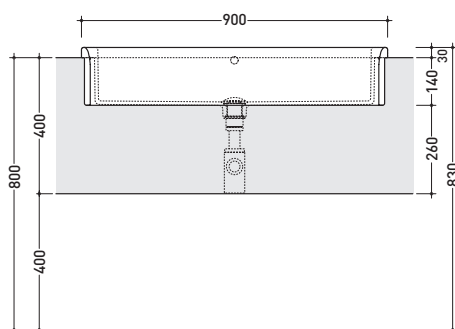
Package dim. **76 x 20,5 x 61 cm** | Weight **30,7 kg** | Pz. Pallet n° **10**



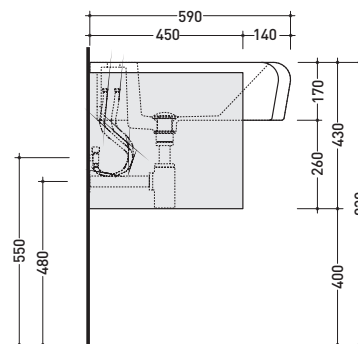
CE UNI EN 14688 - CL20 Dop-No14688



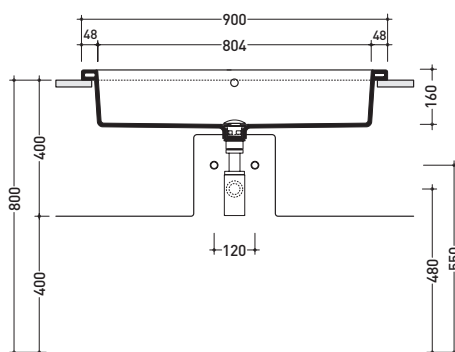
vista zenitale / zenital view



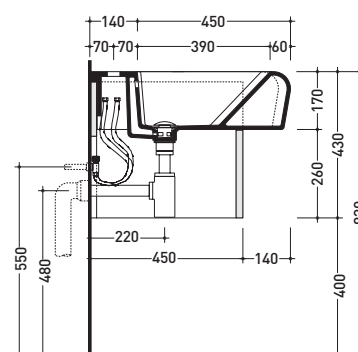
vista frontale / frontal view



vista laterale / lateral view



sezione trasversale / section



sezione longitudinale / section

sizes in mm

Please consider a 2% tolerance on indicated measurements

CERAMIC: glossy finish

matt finish



white

black



milky white