

design **ALESSIO PINTO**

**2008**

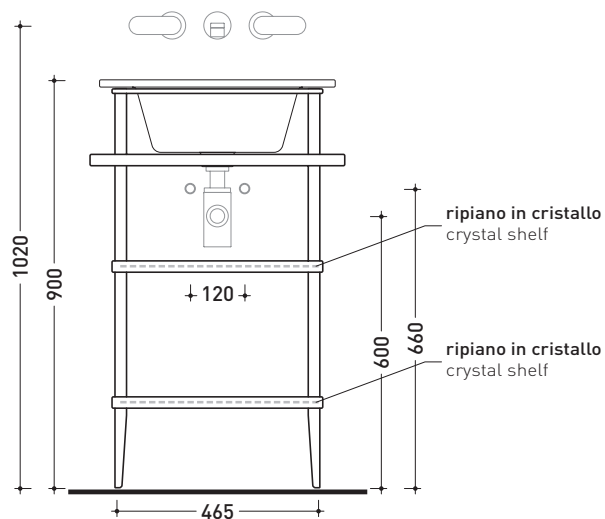
## VL52M

**Metal structure with 3 crystal shelves to suit VOLO 52 basin**

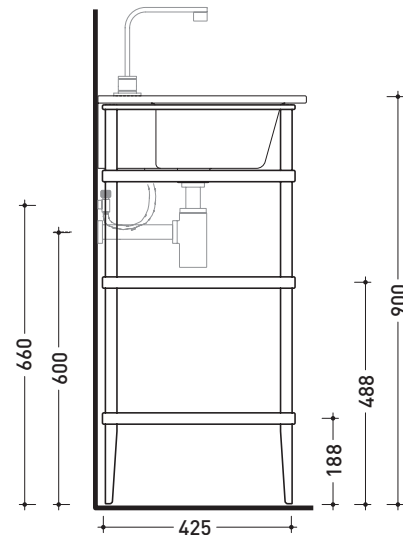
Complements: **Volo 52 basin (VL52L)**  
**Line taps basin: ONE - NOKÉ - SI - FOLD**  
**Line accessories: TWO - HOOP - NOKÉ - FOLD**

Technical accessories: **Chrome siphon (SIFL/CR) - Telescopic chrome siphon (SIFL066)**  
**Stop & Go drain (PLSG)**  
**CERAMIC Stop & Go drain (PLCE)**  
**Two piece set chrome tap filters (RF026)**

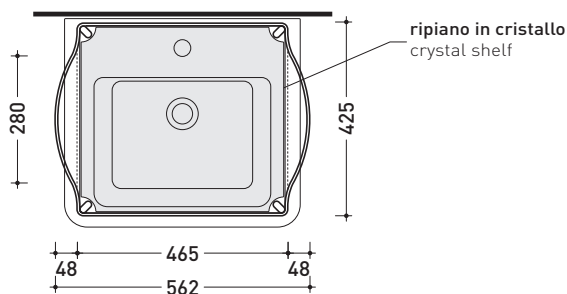
Package dim. **53 x 60 x 94 cm** | Weight **19 kg** | Pz. Pallet n° -



vista frontale / frontal view



vista laterale / lateral view



vista zenitale / zenital view

sizes in mm

**BRASS:** glossy finish



chromo

matt finish



black