

design **ALESSIO PINTO**

**2008**

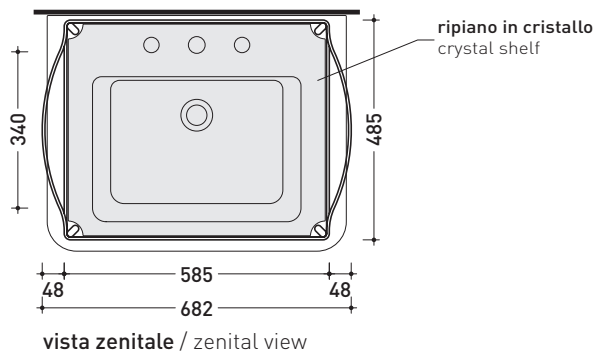
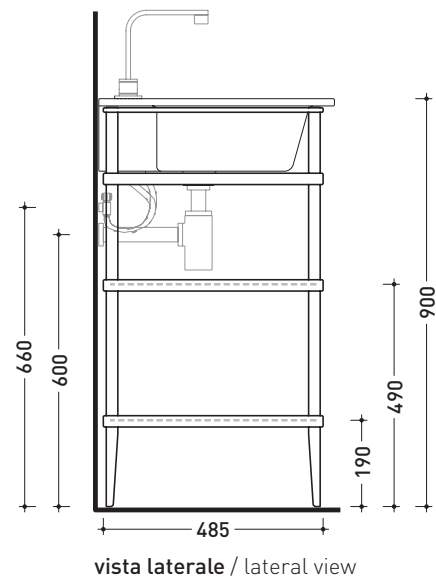
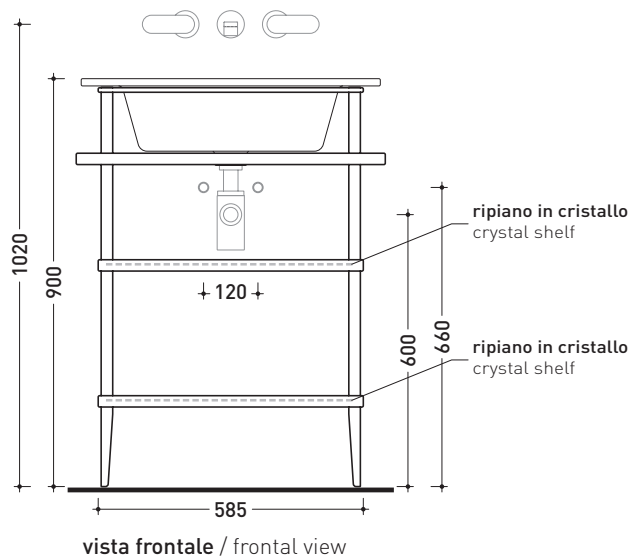
## VL66M

**Metal structure with 3 crystal shelves to suit VOLO 66 basin**

Complements: **Volo 66 basin (VL66L)**  
**Line taps basin: ONE - NOKÉ - SI - FOLD**  
**Line accessories: TWO - HOOP - NOKÉ - FOLD**

Technical accessories: **Chrome siphon (SIFL/CR) - Telescopic chrome siphon (SIFL066)**  
**Stop & Go drain (PLSG)**  
**CERAMIC Stop & Go drain (PLCE)**  
**Two piece set chrome tap filters (RF026)**

Package dim. **73 x 58 x 94 cm** | Weight **26 kg** | Pz. Pallet n° -



sizes in mm

**BRASS:** glossy finish



chromo

**BRASS:** matt finish



black

<http://www.ceramicaflaminia.it/en/products/327-volo>

©ceramicaflaminiaspa - All rights reserved. Unauthorized copying, publication, reproduction as well as partial reproduction are prohibited

may 2019

