

design **ALESSIO PINTO**

2008

VL52L Volo 52

Countertop - wall hung basin 52 cm

•WITH OVERFLOW •ARRANGED FOR SINGLE-HOLE

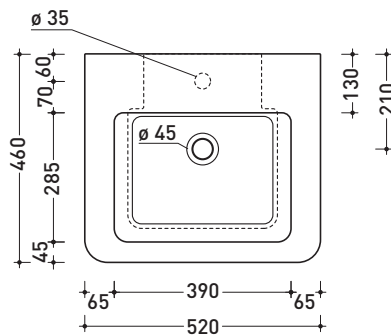
Complements: **Volo metal structure (VL52M)**
Furniture BOX - depth. 50
Line taps basin: ONE - NOKÉ - SI - FOLD - X1
Line accessories: TWO - HOOP - NOKÉ - FOLD

Technical accessories: **Chrome siphon (SIFL/CR) - Telescopic chrome siphon (SIFL066)**
Stop & Go drain (PLSG)
CERAMIC Stop & Go drain (PLCE)
Two piece set chrome tap filters (RF026)

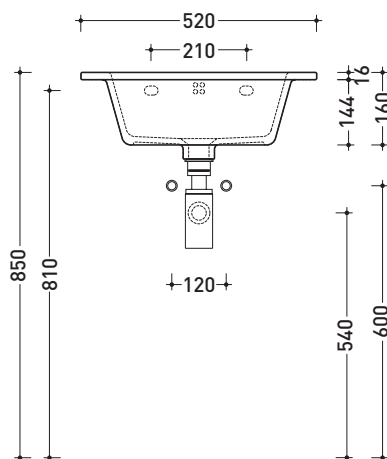
Package dim. **53,5 x 20 x 48 cm** | Weight **15 kg** | Pz. Pallet n° **18**



UNI EN 14688 - CL20 Dop-No14688

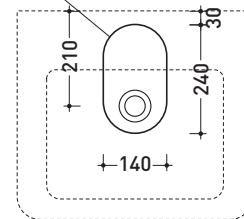


vista zenitale / zenital view

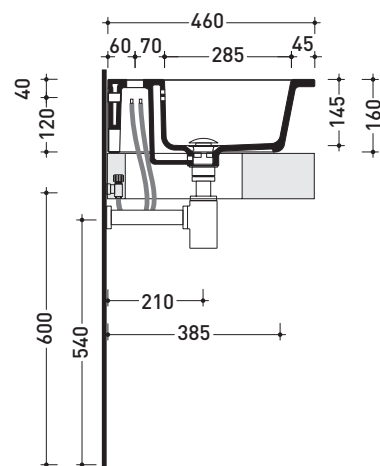


vista frontale / frontal view

foro consigliato sul piano
suggested hole on the top



vista zenitale / zenital view



sezione longitudinale / section

sizes in mm

Please consider a 2% tolerance on indicated measurements

CERAMIC: glossy finish



matt finish



FOR THE COLORS MARKED
ASK FOR AVAILABILITY