

PS50L Pass 50

Countertop - wall hung basin 50 cm

•WITH OVERFLOW •ARRANGED FOR THREE HOLES TAP

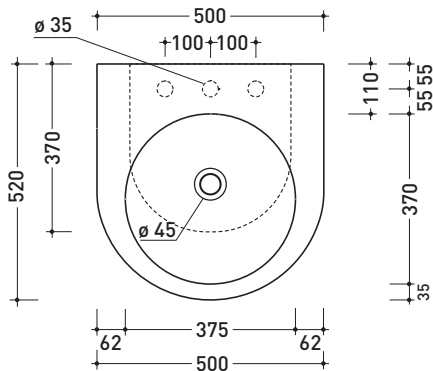
Complements: **Solid shelf (SLPS50)**
Forty6 shelf (F6PS50)
Furniture BOX - depth. 50
Line taps basin: ONE - NOKÉ - SI - FOLD - X1
Line accessories: TWO - HOOP - NOKÉ - FOLD

Technical accessories: **Chrome siphon (SIFL/CR) - Telescopic chrome siphon (SIFL066)**
Stop & Go drain (PLSG)
CERAMIC Stop & Go drain (PLCE)
Two piece set chrome tap filters (RF026)
Fixing kit for wall (9002)

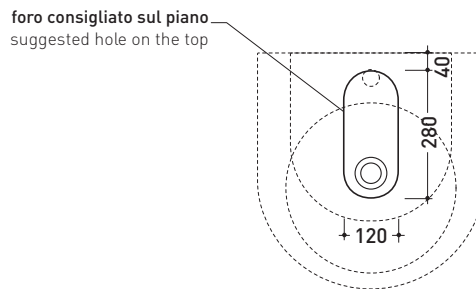
Package dim. | Weight **18 kg** | Pz. Pallet n° **20**



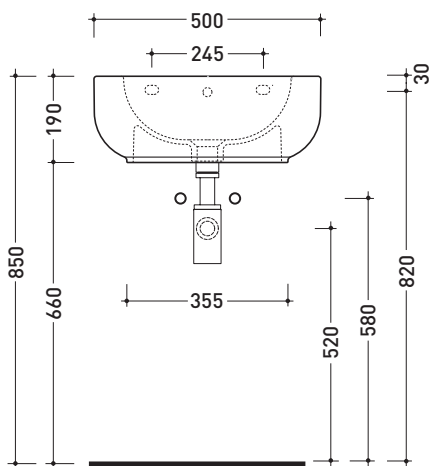
CE UNI EN 14688 - CL20 **Dop-No14688**



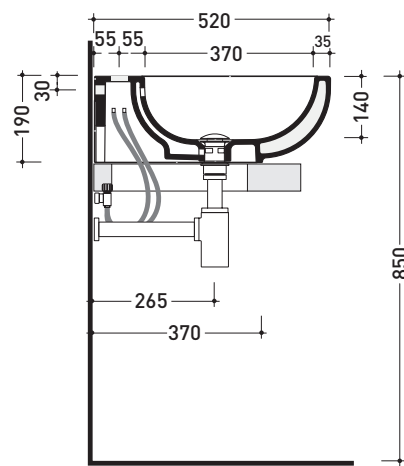
vista zenitale / zenital view



vista zenitale / zenital view



vista frontale / frontal view



sezione longitudinale / section

sizes in mm

Please consider a 2% tolerance on indicated measurements

CERAMIC: glossy finish



matt finish

