

Miniwash Fly

➔ **FLAMINIA.**

design **GIULIO CAPPELLINI**

2005

MWL48 Miniwash 48

Countertop - wall hung* basin 48 cm

● WITHOUT OVERFLOW ● WITHOUT TAP LEDGE

Complements: *Wall fixing bracket (MWS48)

Forty6 shelf (F6MW)

Solid shelf (SLMW)

Furniture BOX - depth. 50

Line taps basin: ONE - NOKÈ - SI - FOLD - X1

Line accessories: TWO - HOOP - NOKÈ - FOLD

Technical accessories: Chrome siphon (SIFL/CR) - Telescopic chrome siphon (SIFL066)

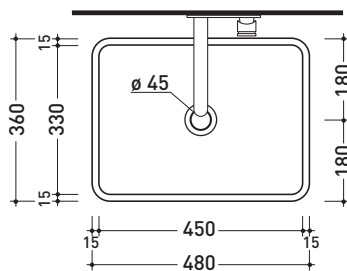
Stop & Go drain (PLSG)

CERAMIC Stop & Go drain (PLCE)

Two piece set chrome tap filters (RF026)

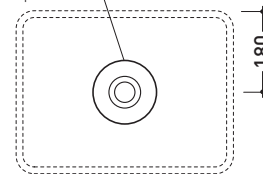
Package dim. 49 x 14,5 x 37,5 cm | Weight 12,5 kg | Pz. Pallet n° 42

CE UNI EN 14688 - CL00 Dop-No14688

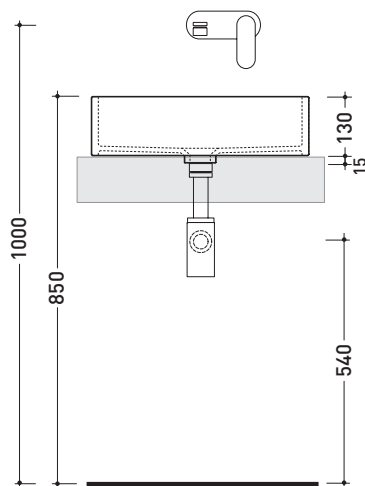


vista zenitale / zenital view

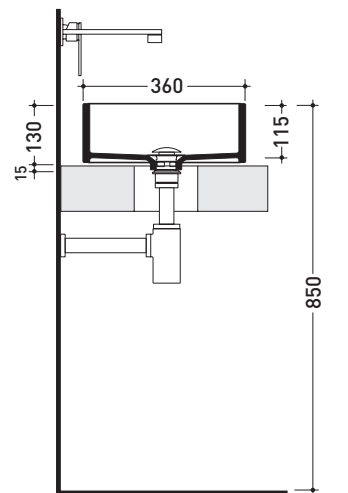
foro consigliato sul piano ø 140
suggested hole on the top ø140



vista zenitale / zenital view



vista frontale / frontal view



sezione longitudinale / section

sizes in mm

Please consider a 2% tolerance on indicated measurements

CERAMIC: glossy finish



matt finish



<http://www.ceramicaflaminia.it/en/products/300-miniwash-fly>

©ceramicaflaminiaspa - All rights reserved. Unauthorized copying, publication, reproduction as well as partial reproduction are prohibited

april 2019

