

design **PATRICK NORGUET**

**2013**

## NL62H20 Nile 62

**Countertop basin 62 h 20 cm**

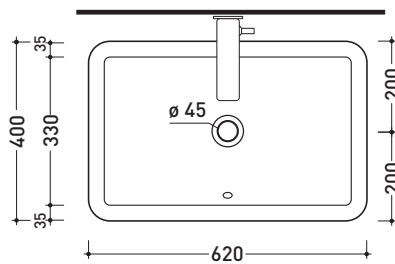
•WITH OVERFLOW

Complements: **Forty6 shelf (F6NL)**  
**Solid shelf (SLNL)**  
**Furniture BOX - depth. 50**  
**Line taps basin: ONE - NOKÉ - FOLD - SI - X1**  
**Line accessories: TWO - HOOP - NOKÉ - FOLD**

Technical accessories: **Chrome siphon (SIFL/CR) - Telescopic chrome siphon (SIFL066)**  
**Stop & Go drain (PLSG)**  
**CERAMIC Stop & Go drain (PLCE)**  
**Two piece set chrome tap filters (RF026)**

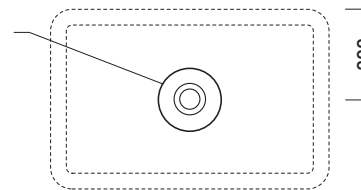
Package dim. | Weight **kg 21** | Pz. Pallet n° **12**

CE UNI EN 14688 - CL20 Dop-No14688

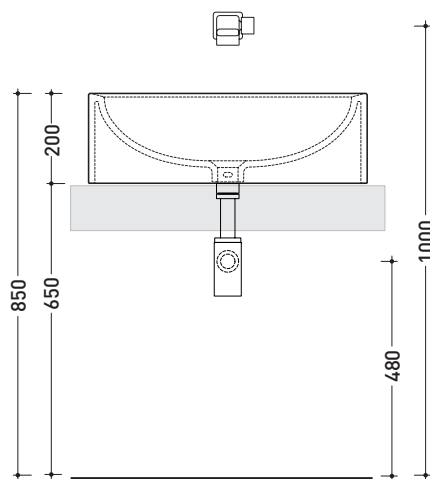


vista zenitale / zenital view

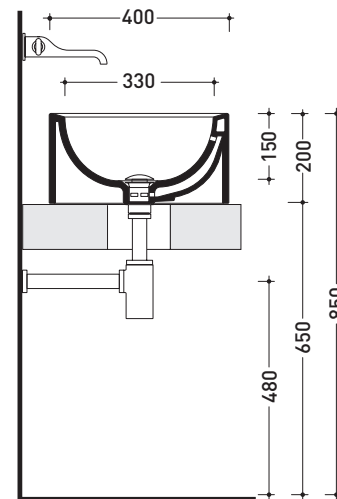
foro consigliato  
 sul piano Ø140  
 suggested hole  
 on the top Ø140



vista zenitale / zenital view



vista frontale / frontal view



sezione longitudinale / section

sizes in mm

Please consider a 2% tolerance on indicated measurements

**CERAMIC:** glossy finish



matt finish

