

design **PATRICK NORGUET**

2013

NL62INC Nile 62

Recessed basin 62 cm

•WITH OVERFLOW

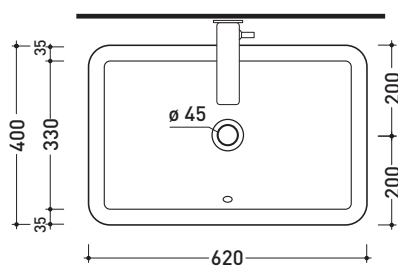
Complements: **Forty6 shelf (F6NLINC)**
Line taps basin: ONE - NOKÉ - FOLD - SI - X1
Line accessories: TWO - HOOP - NOKÉ - FOLD

Technical accessories: **Chrome siphon (SIFL/CR) - Telescopic chrome siphon (SIFL066)**
Stop & Go drain (PLSG)
CERAMIC Stop & Go drain (PLCE)
Two piece set chrome tap filters (RF026)

Package dim. | Weight **kg 16** | Pz. Pallet n° **12**

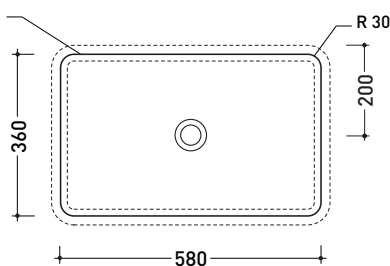


CE UNI EN 14688 - CL20 Dop-No14688

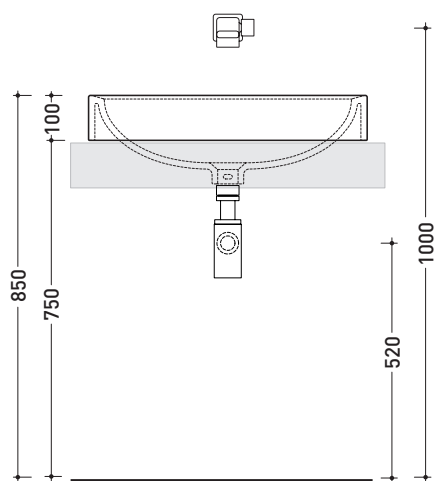


vista zenitale / zenital view

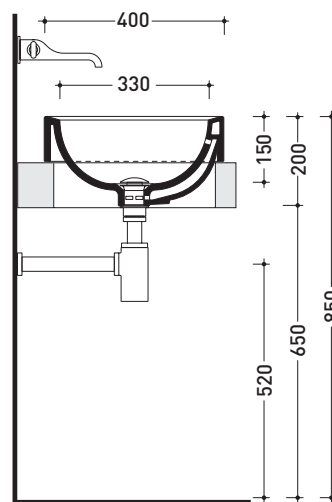
foro consigliato sul piano
suggested hole on the top



vista zenitale / zenital view



vista frontale / frontal view



sezione longitudinale / section

sizes in mm

Please consider a 2% tolerance on indicated measurements

CERAMIC: glossy finish



matt finish

