

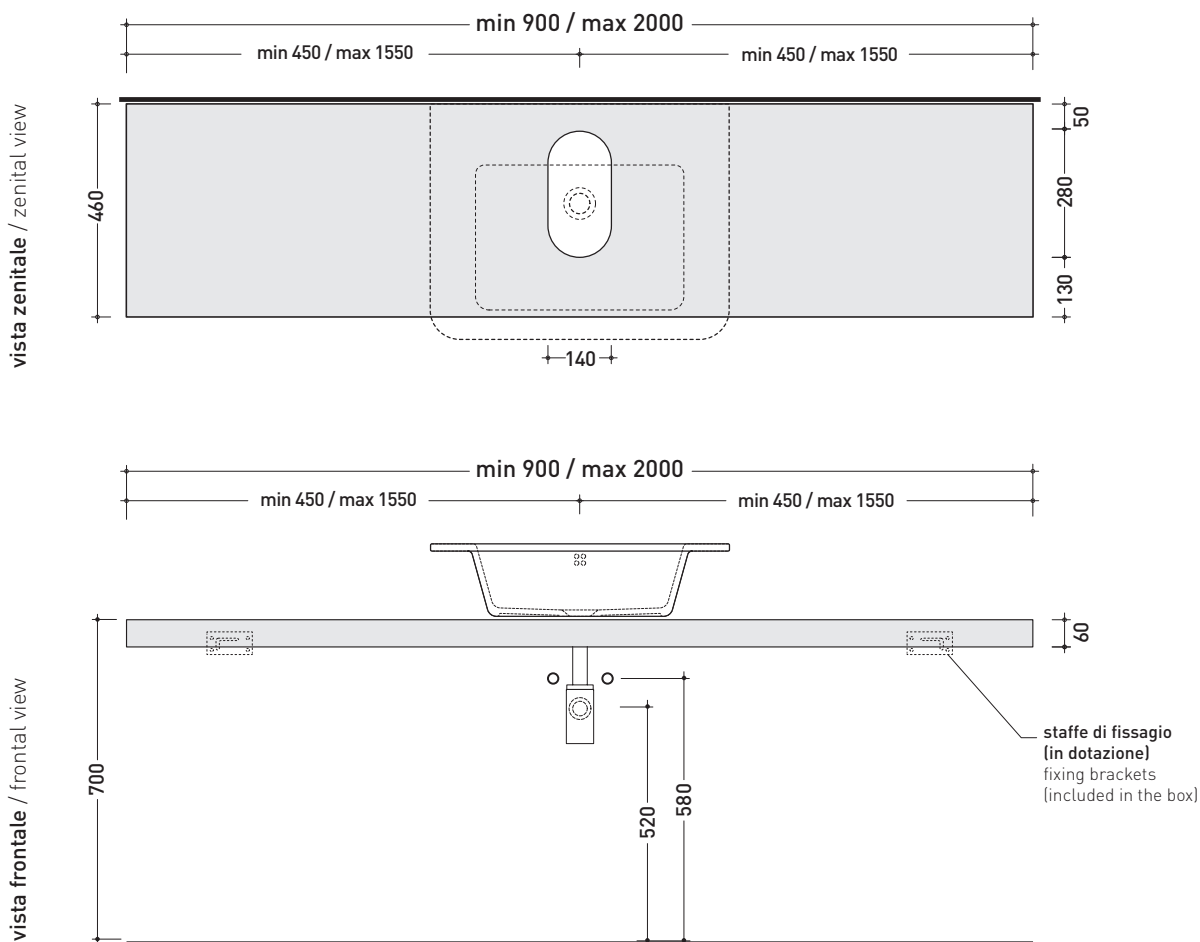
## SLVL66 suitable for Volo 66 (VL66L)

Shelf from 90 to 200 x 46 x h 6 cm suitable for Volo 66 basin  
(fixing brackets included)

Complements: **Make-Up mirrors and lamps**  
Simple mirrors  
Hot/Cold mirror (SPHC)  
Left/Right mirror (SPLR)  
Line mirrors (BASC20 - BASC30 - BASC40)



Tap holes are not made on this article by Flaminia



REFERENCE TO  
THE COMPULSORY  
ORDER FORM

sizes in mm

**WOOD:** rustic finish



brown



MODULO PER LA REALIZZAZIONE DELLE MENSOLE **SOLID** A MISURA PER ART. **VL66L**

**SOLID CUSTOMIZED SHELVES FOR ART. VL66L FORM**



**E' obbligatorio fotocopiare questa pagina, compilarla con cura e allegarla all'ordine.**  
It is compulsory to photocopy this page, carefully fill in and attach to the order.

➔➔ **1**

**DETTAGLI ORDINE / ORDER DETAILS**

cliente - client \_\_\_\_\_

ordine - order n: \_\_\_\_\_ data - date: \_\_\_\_\_ ref.: \_\_\_\_\_

annotazioni - notes \_\_\_\_\_

➔➔ **2**

**SCELTA ARTICOLO / ITEM CHOICE**

E' importante consultare prima la scheda tecnica relativa  
It's important to consult before the technical detail

art. **SLVL66**  
mensola / shelf da / from 90 a / to 200 cm

➔➔ **3**

**SCELTA MATERIALE / MATERIAL SELECTION**

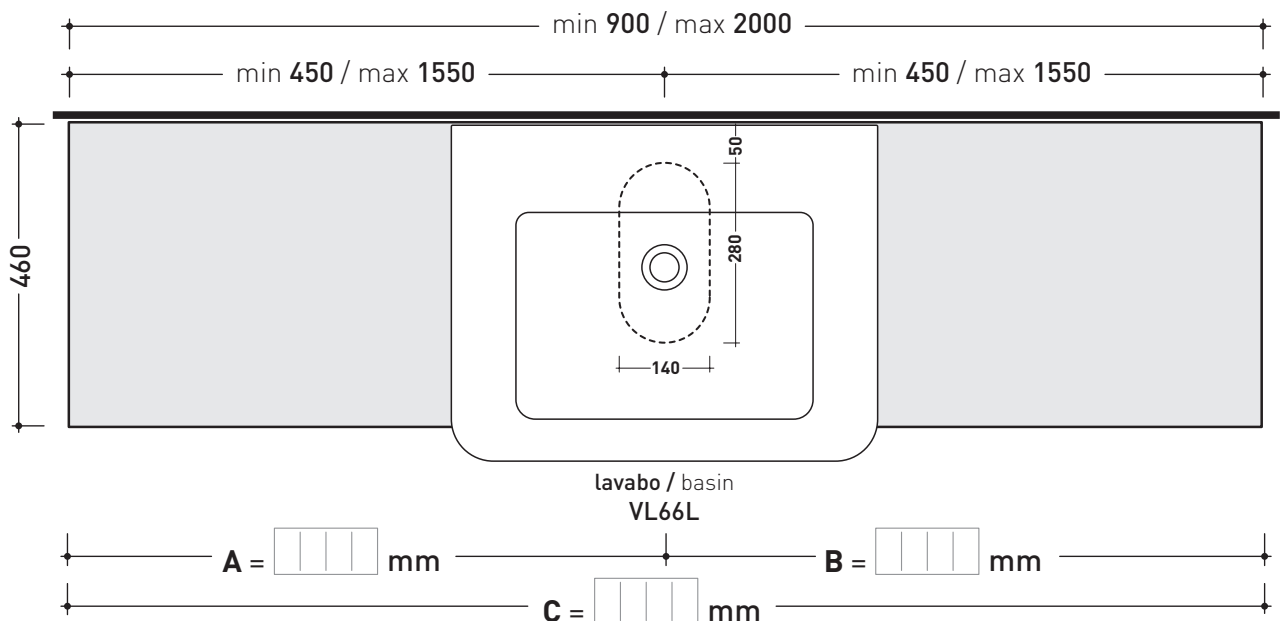
**LEGNO RUSTICO / RUSTIC WOOD**

marrone - brown

➔➔ **4**

**SCELTA MISURE / MEASURES**

➔ **FLAMINIA.**



- A = misura interasse lavabo da sinistra / left distance of basin.
- B = misura interasse lavabo da destra / right distance of basin.
- C = misura totale della mensola / total length of the shelf.
- verificare sempre che / verify that: **A + B = C.**



MODULO PER LA REALIZZAZIONE DELLE MENSOLE **SOLID** A MISURA PER DOPPIO ART. **VL66L**  
**SOLID CUSTOMIZED SHELVES FOR DOUBLE ART. VL66L FORM**

**E' obbligatorio fotocopiare questa pagina, compilarla con cura e allegarla all'ordine.**  
 It is compulsory to photocopy this page, carefully fill in and attach to the order.

➔➔ **1** DETTAGLI ORDINE / ORDER DETAILS

cliente - client \_\_\_\_\_

ordine - order n: \_\_\_\_\_ data - date: \_\_\_\_\_ ref.: \_\_\_\_\_

annotazioni - notes \_\_\_\_\_

➔➔ **2** SCELTA ARTICOLO / ITEM CHOICE

E' importante consultare prima la scheda tecnica relativa  
 It's important to consult before the technical detail

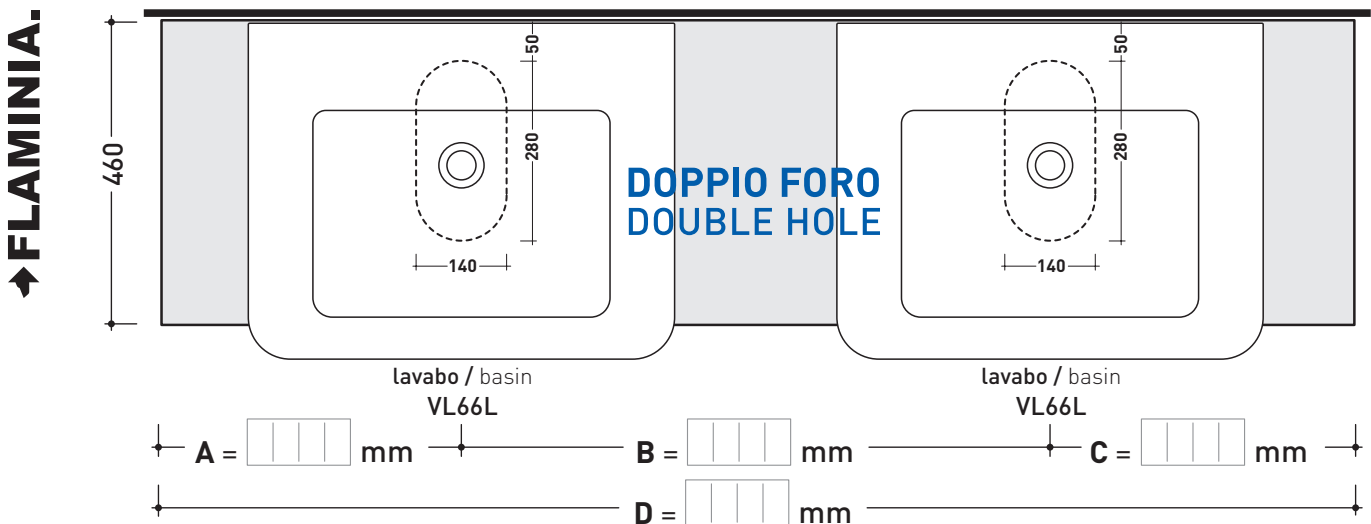
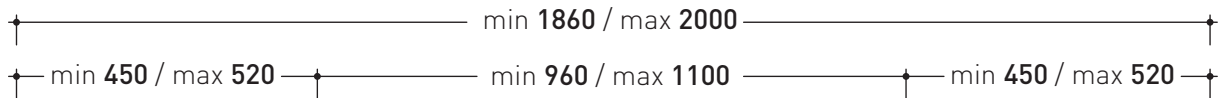
art. **SLVL66**  
 mensola / shelf da / from 186 a / to 200 cm

➔➔ **3** SCELTA MATERIALE / MATERIAL SELECTION

**LEGNO RUSTICO / RUSTIC WOOD**

marrone - brown

➔➔ **4** SCELTA MISURE / MEASURES



- A = misura interasse lavabo da sinistra / left distance of basin.
- B = misura interasse lavabi / distance between basins.
- C = misura interasse lavabo da destra / right distance of basin.

- D = misura totale della mensola / total length of the shelf.
- verificare sempre che / verify that: **A + B + C = D.**