

design **FLAMINIA DESIGN TEAM**

2010

## F6PS50 suitable for Pass 50 (PS50L)

Shelf from 80 to 250 x 46 x h 10 cm suitable for Pass 50 basin  
(fixing brackets included)

Complements: **Make-Up mirrors and lamps**

App mirros

Simple mirros

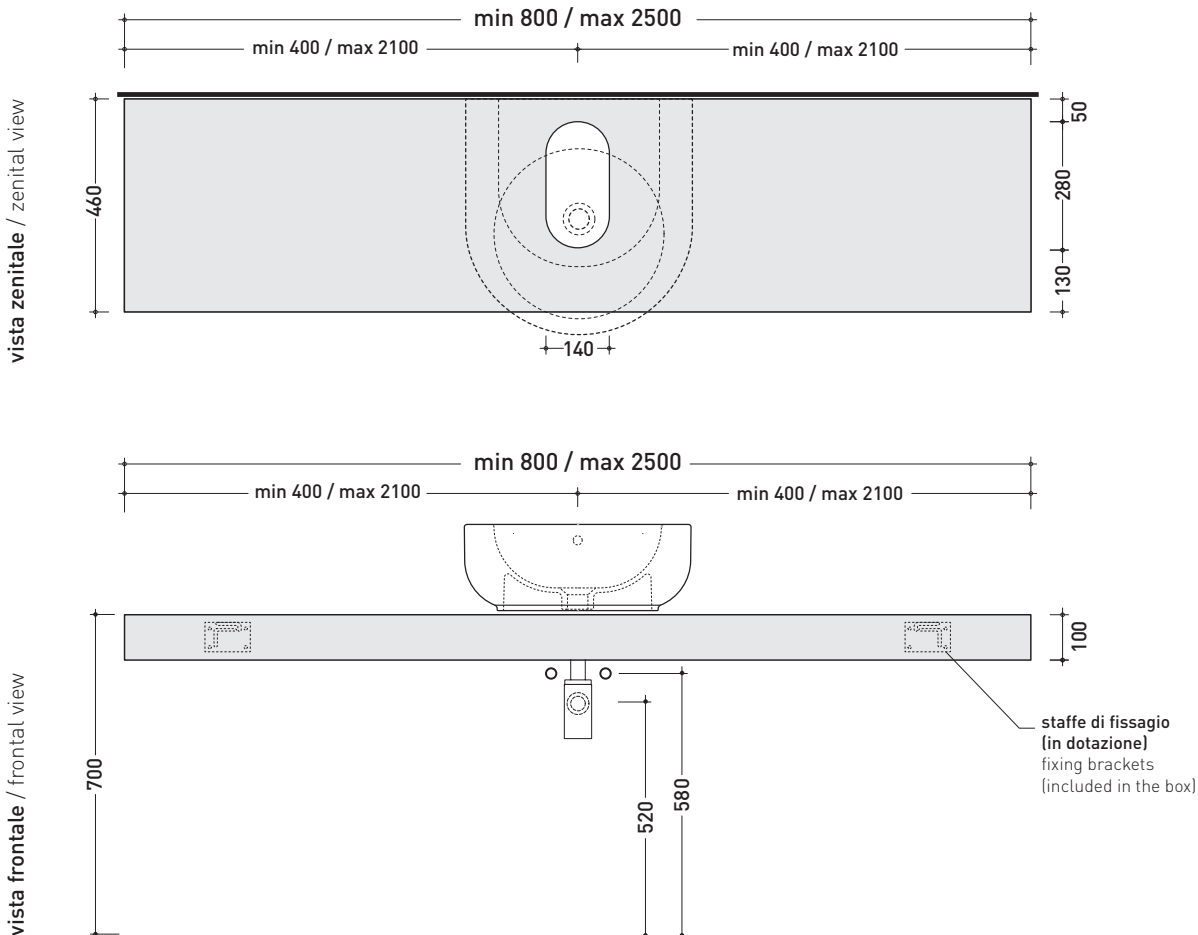
Hot/Cold mirror (SPHC)

Left/Right mirror (SPLR)

Line mirrors (BASC20 - BASC30 - BASC40)



Tap holes are not made on this article by Flaminia



REFERENCE TO  
THE COMPULSORY  
ORDER FORM

sizes in mm

PIETRALUCE: glossy finish



white black marine blue red beige sand grey

matt finish



milky white graphite lava grey argilla

<http://www.ceramicaflaminia.it/en/products/291-forty6>

©ceramicaflaminiaspa - All rights reserved. Unauthorized copying, publication, reproduction as well as partial reproduction are prohibited

april 2019





MODULO PER LA REALIZZAZIONE DELLE MENSOLE **FORTY6** A MISURA PER ART. **PS50L**

**FORTY6** CUSTOMIZED SHELVES FOR ART. **PS50L** FORM



**E' obbligatorio fotocopiare questa pagina, compilarla con cura e allegarla all'ordine.**  
It is compulsory to photocopy this page, carefully fill in and attach to the order.

➔➔ **1**

**DETTAGLI ORDINE / ORDER DETAILS**

ordinante - buyer cliente - client

ordine - order n: \_\_\_\_\_ data - date: \_\_\_\_\_ ref.: \_\_\_\_\_

annotazioni - notes \_\_\_\_\_

➔➔ **2**

**SCELTA ARTICOLO / ITEM CHOICE**

E' importante consultare prima la scheda tecnica relativa  
It's important to consult before the technical detail

**art. F6PS50**  
mensola / shelf da / from 80 a / to 250 cm

➔➔ **3**

**SCELTA MATERIALE / MATERIAL SELECTION**

**PIETRALUCE** lucida / glossy

- bianco - white
- grigio - grey
- beige - beige
- blu ultram. - marine blue

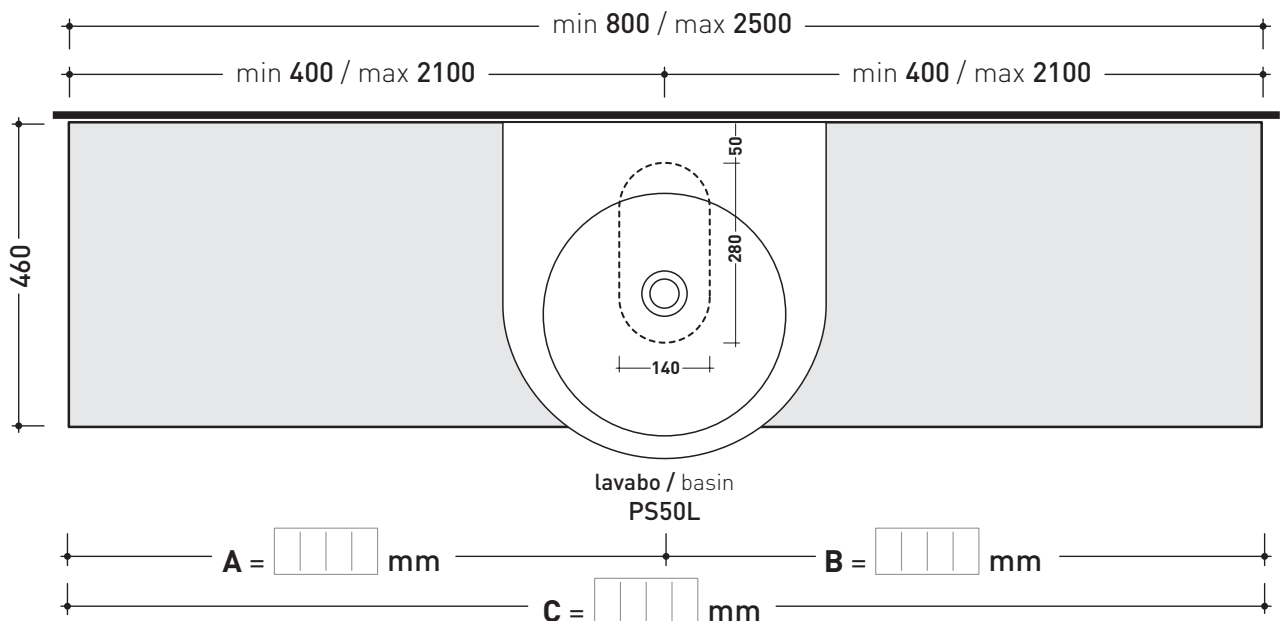
- sabbia - sand
- nero - black
- rosso cuoio - red

**PIETRALUCE** opaco / mat

- argilla - argilla
- latte - milky white
- gr. lava - lava grey
- grafite - graphite

➔➔ **4**

**SCELTA MISURE / MEASURES**



• **A** = misura interasse lavabo da sinistra / left distance of basin.      • **C** = misura totale della mensola / total length of the shelf.  
• **B** = misura interasse lavabo da destra / right distance of basin.      • verificare sempre che / verify that: **A + B = C.**



MODULO PER LA REALIZZAZIONE DELLE MENSOLE **FORTY6** A MISURA PER DOPPIO ART. **PS50L**  
**FORTY6** CUSTOMIZED SHELVES FOR DOUBLE ART. **PS50L** FORM

 **E' obbligatorio fotocopiare questa pagina, compilarla con cura e allegarla all'ordine.**  
 It is compulsory to photocopy this page, carefully fill in and attach to the order.

➔➔ **1** DETTAGLI ORDINE / ORDER DETAILS

ordinante - buyer \_\_\_\_\_ cliente - client \_\_\_\_\_

ordine - order n: \_\_\_\_\_ data - date: \_\_\_\_\_ ref.: \_\_\_\_\_

annotazioni - notes \_\_\_\_\_

➔ **2** SCELTA ARTICOLO / ITEM CHOICE

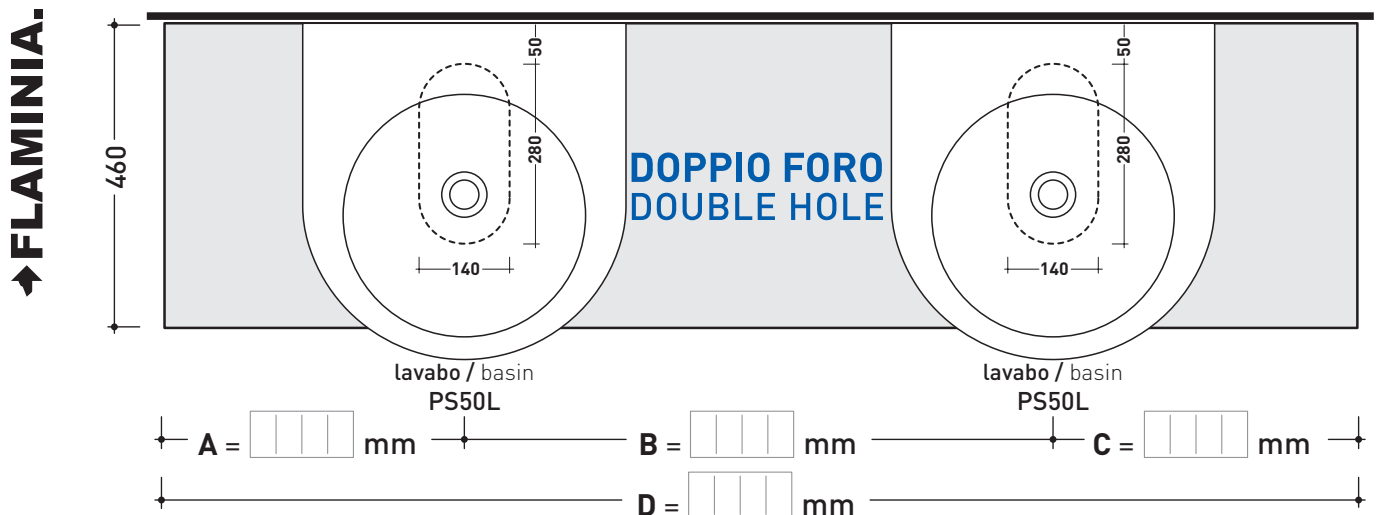
E' importante consultare prima la scheda tecnica relativa  
 It's important to consult before the technical detail

art. **F6PS50**  
 mensola / shelf da / from 150 a / to 250 cm

➔➔ **3** SCELTA MATERIALE / MATERIAL SELECTION

<b>PIETRALUCE</b> lucida / glossy		<b>PIETRALUCE</b> opaco / mat	
<input type="checkbox"/> bianco - white	<input type="checkbox"/> sabbia - sand	<input type="checkbox"/> argilla - argilla	<input type="checkbox"/> gr. lava - lava grey
<input type="checkbox"/> grigio - grey	<input type="checkbox"/> nero - black	<input type="checkbox"/> latte - milky white	<input type="checkbox"/> grafite - graphite
<input type="checkbox"/> beige - beige	<input type="checkbox"/> rosso cuoio - red		
<input type="checkbox"/> blu ultram. - marine blue			

➔➔ **4** SCELTA MISURE / MEASURES



- A = misura interasse lavabo da sinistra / left distance of basin.
- B = misura interasse lavabi / distance between basins.
- C = misura interasse lavabo da destra / right distance of basin.

- D = misura totale della mensola / total length of the shelf.
- verificare sempre che / verify that: **A + B + C = D.**