

## SLPS62 suitable for Pass 62 (PS62L)

Shelf from 80 to 200 x 46 x h 6 cm suitable for Pass 62 basin  
(fixing brackets included)

Complements: **Make-Up mirrors and lamps**

App mirros

Simple mirros

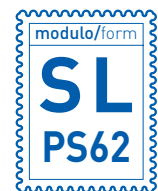
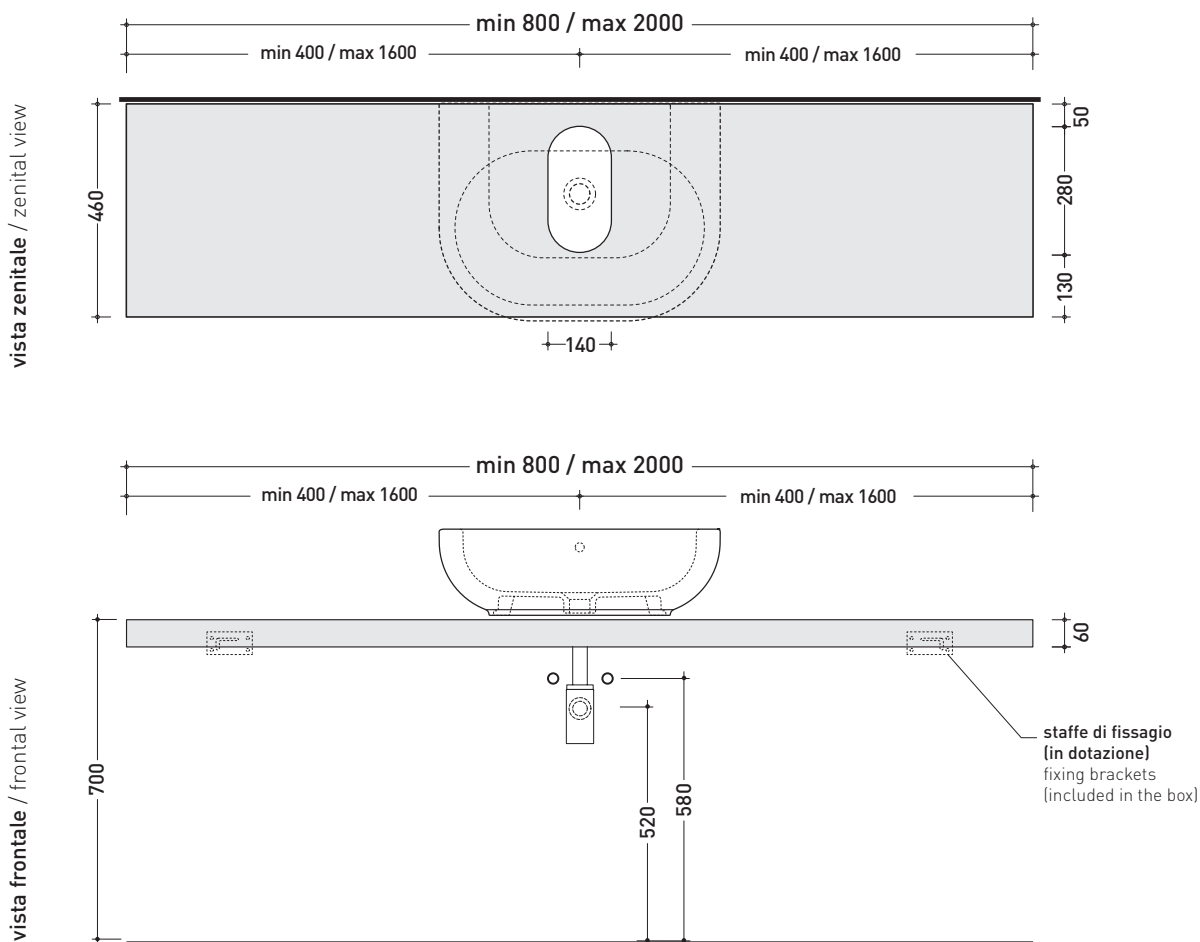
Hot/Cold mirror (SPHC)

Left/Right mirror (SPLR)

Line mirrors (BASC20 - BASC30 - BASC40)



Tap holes are not made on this article by Flaminia



REFERENCE TO  
THE COMPULSORY  
ORDER FORM

sizes in mm

**WOOD:** rustic finish



brown



MODULO PER LA REALIZZAZIONE DELLE MENSOLE **SOLID** A MISURA PER ART. **PS62L**

**SOLID** CUSTOMIZED SHELVES FOR ART. **PS62L** FORM



**E' obbligatorio fotocopiare questa pagina, compilarla con cura e allegarla all'ordine.**  
It is compulsory to photocopy this page, carefully fill in and attach to the order.

➔➔ **1** DETTAGLI ORDINE / ORDER DETAILS

ordinante - buyer cliente - client

ordine - order n: \_\_\_\_\_ data - date: \_\_\_\_\_ ref.: \_\_\_\_\_

annotazioni - notes \_\_\_\_\_

➔➔ **2** SCELTA ARTICOLO / ITEM CHOICE

E' importante consultare prima la scheda tecnica relativa  
It's important to consult before the technical detail

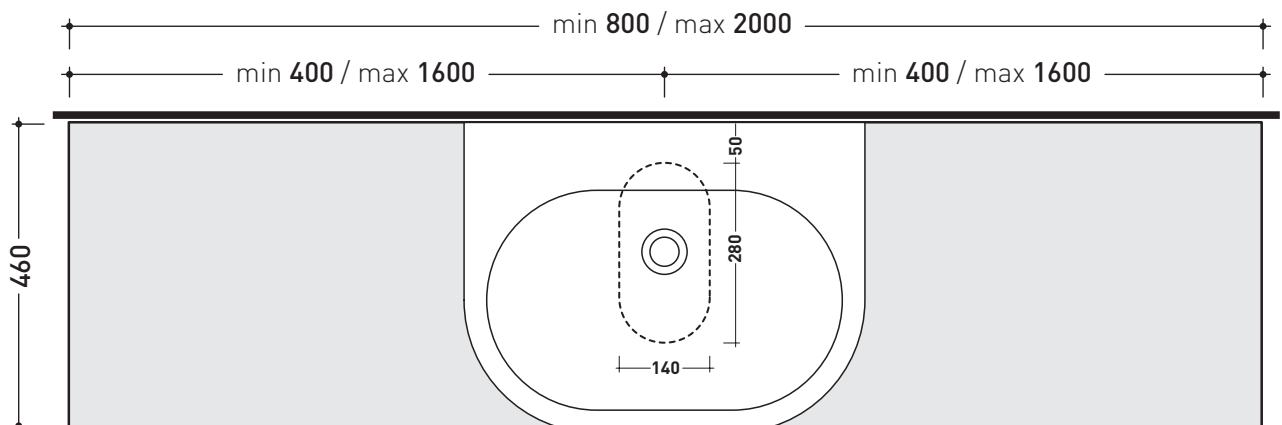
art. **SLPS62**  
mensola / shelf da / from 80 a / to 200 cm

➔➔ **3** SCELTA MATERIALE / MATERIAL SELECTION

**LEGNO RUSTICO / RUSTIC WOOD**

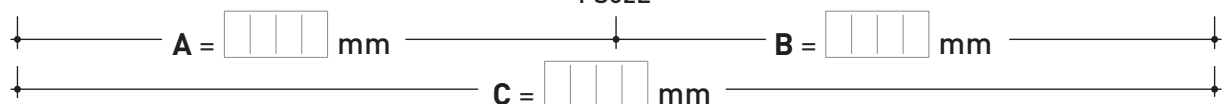
marrone - brown

➔➔ **4** SCELTA MISURE / MEASURES



➔ **FLAMINIA.**

lavabo / basin  
PS62L



- **A** = misura interasse lavabo da sinistra / left distance of basin.
- **B** = misura interasse lavabo da destra / right distance of basin.
- **C** = misura totale della mensola / total length of the shelf.
- verificare sempre che / verify that: **A + B = C**.



MODULO PER LA REALIZZAZIONE DELLE MENSOLE **SOLID** A MISURA PER DOPPIO ART. **PS62L**  
**SOLID CUSTOMIZED SHELVES FOR DOUBLE ART. PS62L FORM**



**E' obbligatorio fotocopiare questa pagina, compilarla con cura e allegarla all'ordine.**  
 It is compulsory to photocopy this page, carefully fill in and attach to the order.

➔➔ **1** **DETTAGLI ORDINE / ORDER DETAILS**

ordinante - buyer		cliente - client	
ordine - order n:	data - date:	ref.:	
annotazioni - notes			

> **2** **SCELTA ARTICOLO / ITEM CHOICE**

E' importante consultare prima la scheda tecnica relativa  
 It's important to consult before the technical detail

art. **SLPS62**  
 mensola / shelf da / from 182 a / to 200 cm

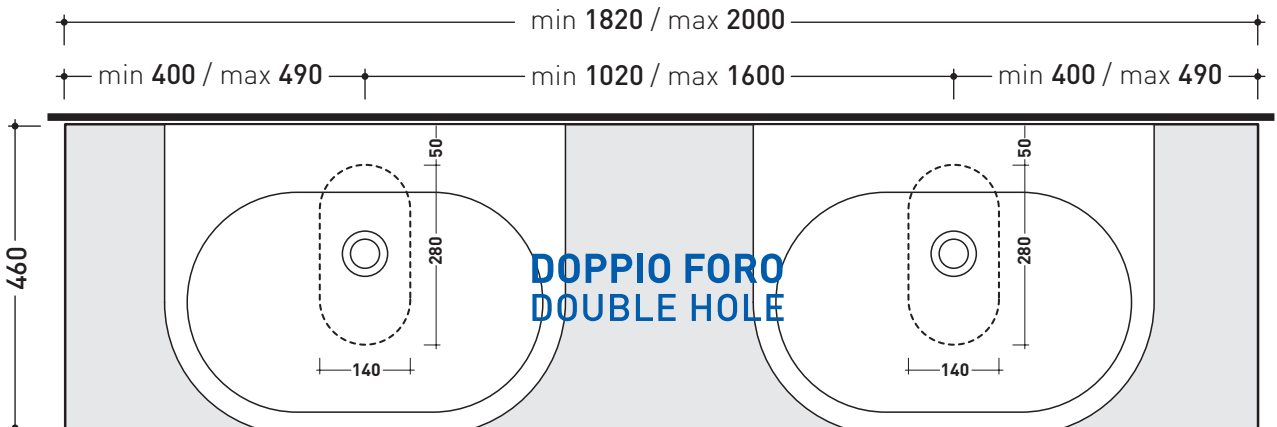
➔➔ **3** **SCELTA MATERIALE / MATERIAL SELECTION**

**LEGNO RUSTICO / RUSTIC WOOD**

marrone - brown

➔➔ **4** **SCELTA MISURE / MEASURES**

➔ **FLAMINIA.**



lavabo / basin PS62L      lavabo / basin PS62L

A =  mm      B =  mm      C =  mm

D =  mm

- A = misura interasse lavabo da sinistra / left distance of basin.
- B = misura interasse lavabi / distance between basins.
- C = misura interasse lavabo da destra / right distance of basin.
- D = misura totale della mensola / total length of the shelf.
- verificare sempre che / verify that: **A + B + C = D.**