

## F6PS62 suitable for Pass 62 (PS62L)

Shelf from 80 to 250 x 46 x h 10 cm suitable for Pass 62 basin  
(fixing brackets included)

Complements: **Make-Up mirrors and lamps**

App mirros

Simple mirros

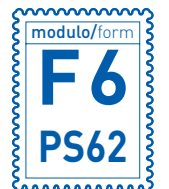
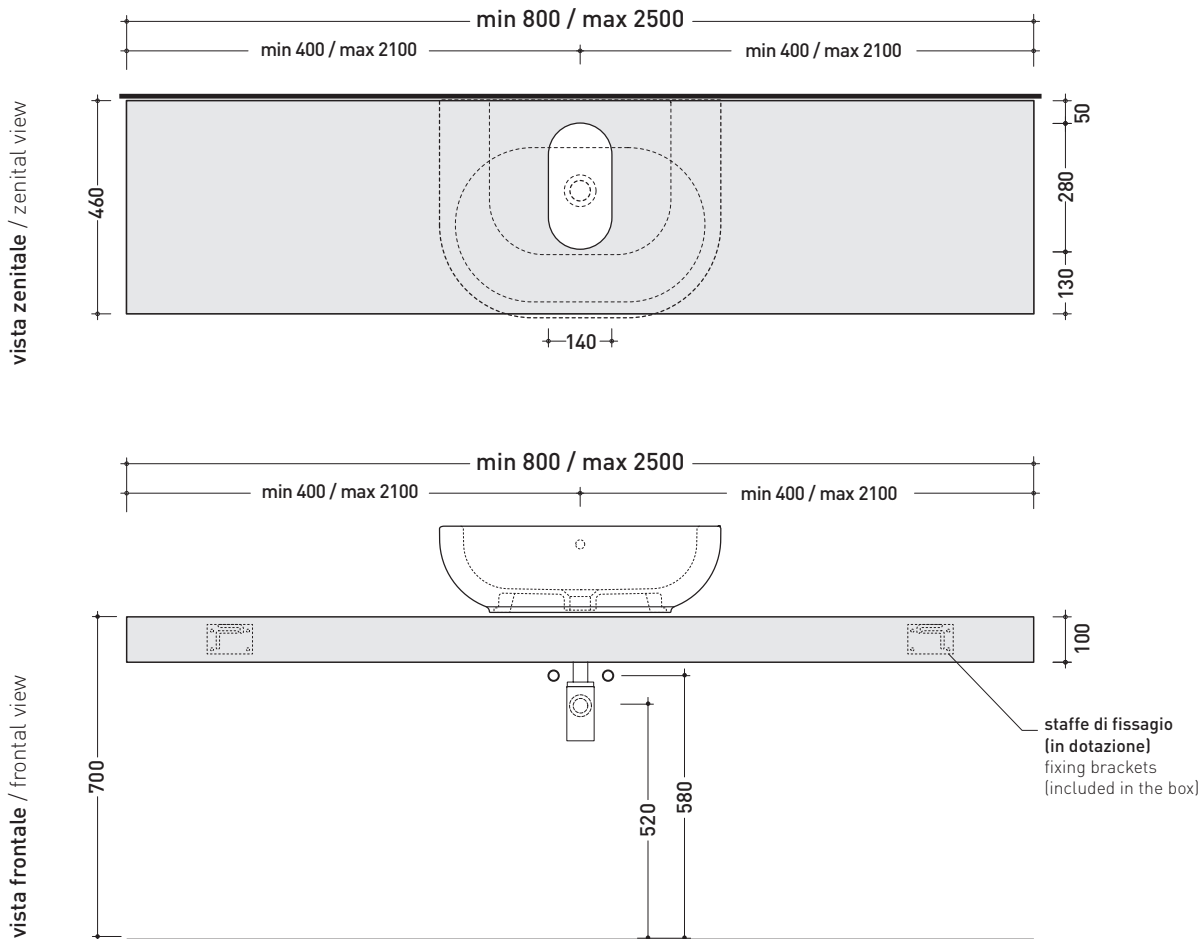
Hot/Cold mirror (SPHC)

Left/Right mirror (SPLR)

Line mirrors (BASC20 - BASC30 - BASC40)



Tap holes are not made on this article by Flaminia



REFERENCE TO  
THE COMPULSORY  
ORDER FORM

sizes in mm

PIETRALUCE: glossy finish



white black marine blue red beige sand grey

matt finish



milky white graphite lava grey argilla



MODULO PER LA REALIZZAZIONE DELLE MENSOLE **FORTY6** A MISURA PER ART. **PS62L**

**FORTY6** CUSTOMIZED SHELVES FOR ART. **PS62L** FORM



**E' obbligatorio fotocopiare questa pagina, compilarla con cura e allegarla all'ordine.**  
It is compulsory to photocopy this page, carefully fill in and attach to the order.

➔➔ **1**

**DETTAGLI ORDINE / ORDER DETAILS**

ordinante - buyer cliente - client

ordine - order n: \_\_\_\_\_ data - date: \_\_\_\_\_ ref.: \_\_\_\_\_

annotazioni - notes \_\_\_\_\_

➔➔ **2**

**SCELTA ARTICOLO / ITEM CHOICE**

E' importante consultare prima la scheda tecnica relativa  
It's important to consult before the technical detail

**art. F6PS62**  
mensola / shelf da / from 80 a / to 250 cm

➔➔ **3**

**SCELTA MATERIALE / MATERIAL SELECTION**

**PIETRALUCE** lucida / glossy

- bianco - white
- grigio - grey
- beige - beige
- blu ultram. - marine blue

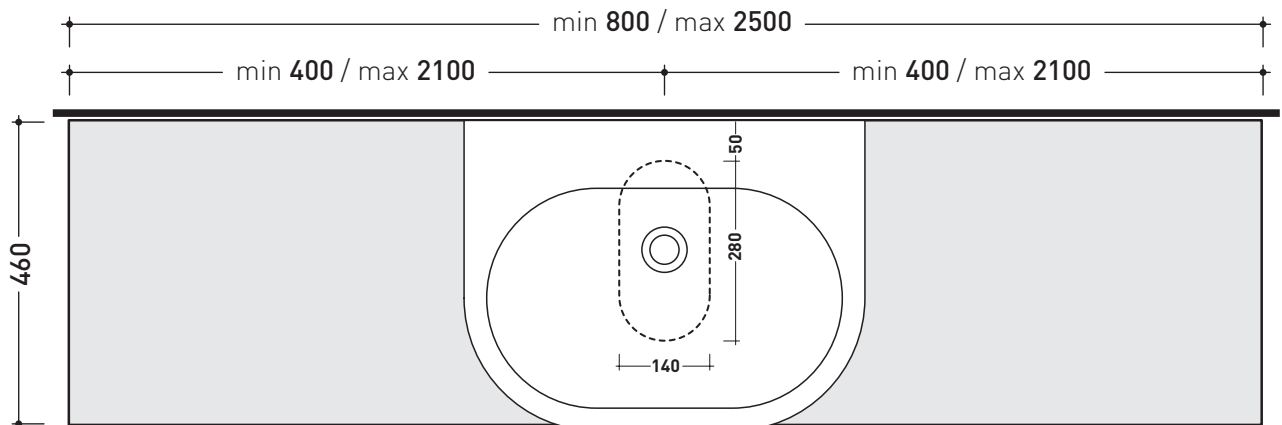
- sabbia - sand
- nero - black
- rosso cuoio - red

**PIETRALUCE** opaco / mat

- argilla - argilla
- latte - milky white
- gr. lava - lava grey
- grafite - graphite

➔➔ **4**

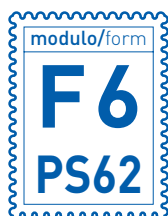
**SCELTA MISURE / MEASURES**



lavabo / basin  
PS62L

A =  mm B =  mm  
C =  mm

- A = misura interasse lavabo da sinistra / left distance of basin.
- B = misura interasse lavabo da destra / right distance of basin.
- C = misura totale della mensola / total length of the shelf.
- verificare sempre che / verify that: **A + B = C.**



MODULO PER LA REALIZZAZIONE DELLE MENSOLE **FORTY6** A MISURA PER DOPPIO ART. **PS62L**  
**FORTY6** CUSTOMIZED SHELVES FOR DOUBLE ART. **PS62L** FORM



**E' obbligatorio fotocopiare questa pagina, compilarla con cura e allegarla all'ordine.**  
 It is compulsory to photocopy this page, carefully fill in and attach to the order.

➔➔ **1** **DETTAGLI ORDINE / ORDER DETAILS**

ordinante - buyer		cliente - client	
ordine - order n:	data - date:	ref.:	
annotazioni - notes			

> **2** **SCELTA ARTICOLO / ITEM CHOICE**

E' importante consultare prima la scheda tecnica relativa  
 It's important to consult before the technical detail

art. **F6PS62**  
 mensola / shelf da / from 172 a / to 250 cm

➔➔ **3** **SCELTA MATERIALE / MATERIAL SELECTION**

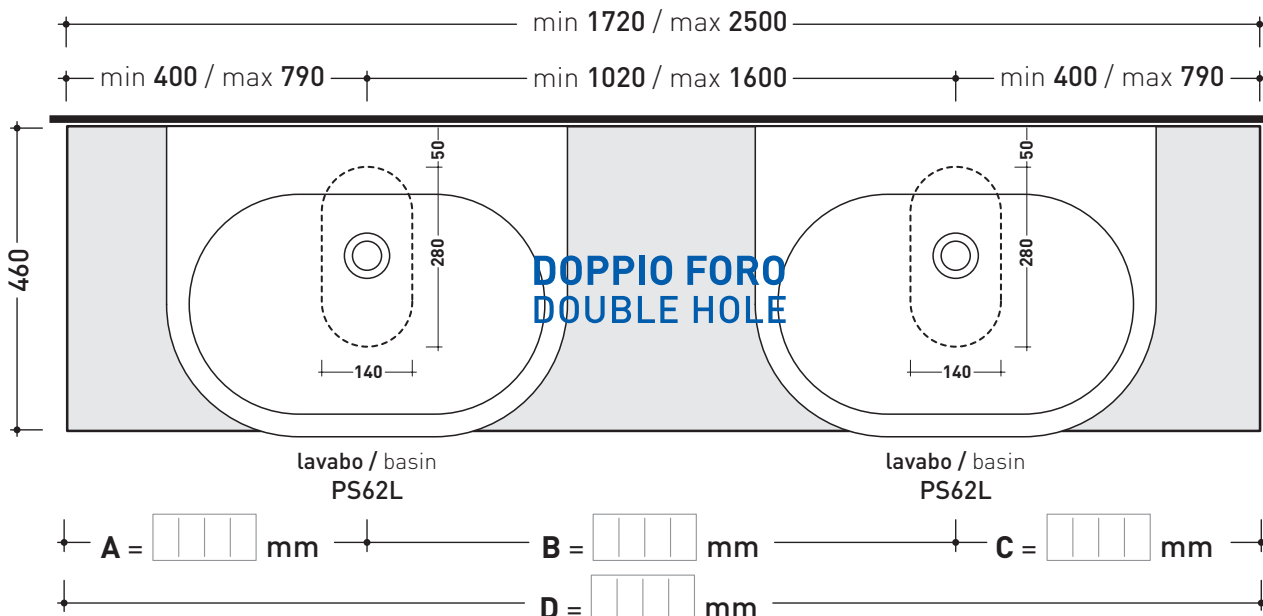
**PIETRALUCE** lucida / glossy

- |  |  |
|--|--|
| <input type="checkbox"/> bianco - white            | <input type="checkbox"/> sabbia - sand     |
| <input type="checkbox"/> grigio - grey             | <input type="checkbox"/> nero - black      |
| <input type="checkbox"/> beige - beige             | <input type="checkbox"/> rosso cuoio - red |
| <input type="checkbox"/> blu ultram. - marine blue |  |

**PIETRALUCE** opaco / mat

- |  |   |
|--|---|
| <input type="checkbox"/> argilla - argilla   | <input type="checkbox"/> gr. lava - lava grey |
| <input type="checkbox"/> latte - milky white | <input type="checkbox"/> grafite - graphite   |

➔➔ **4** **SCELTA MISURE / MEASURES**



➔ **FLAMINIA.**

- **A** = misura interasse lavabo da sinistra / left distance of basin.
- **B** = misura interasse lavabi / distance between basins.
- **C** = misura interasse lavabo da destra / right distance of basin.
- **D** = misura totale della mensola / total length of the shelf.
- verificare sempre che / verify that: **A + B + C = D.**