

design **FLAMINIA DESIGN TEAM**

2014

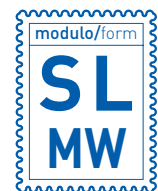
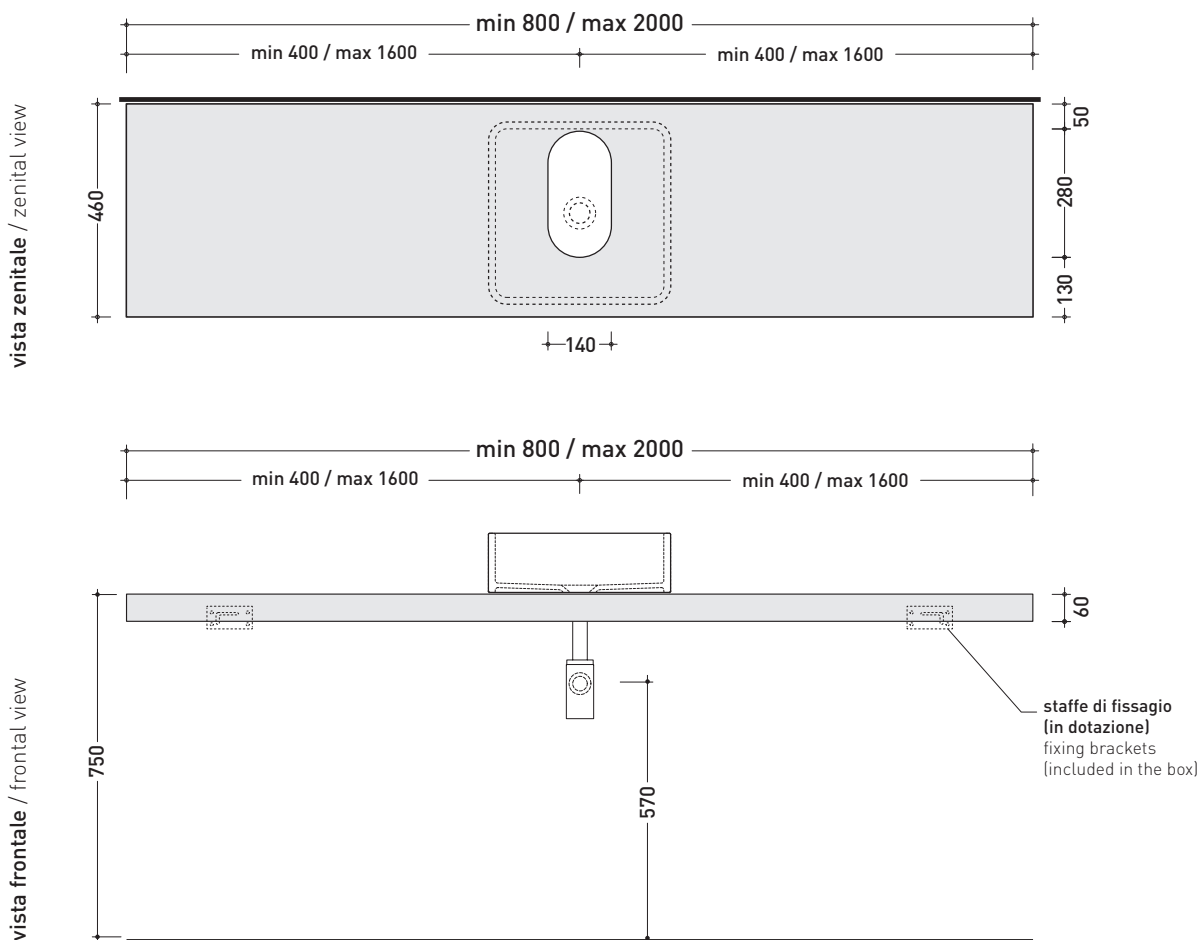
SLMW suitable for Miniwash (MWL40/48/60/75 - MW60/75PR)

Shelf from 80 to 200 x 46 x h 6 cm suitable for countertop
Miniwash basins (fixing brackets included)

Complements: **Make-Up mirrors and lamps**
App mirros
Simple mirros
Hot/Cold mirror (SPHC)
Left/Right mirror (SPLR)
Line mirrors (BASC20 - BASC30 - BASC40)



Tap holes are not made on this article by Flaminia



REFERENCE TO
THE COMPULSORY
ORDER FORM

sizes in mm

WOOD: rustic finish



brown



MODULO PER LA REALIZZAZIONE DELLE MENSOLE **SOLID** A MISURA PER ART. **MWL40-48-60-75 / MW60-75PR**

SOLID CUSTOMIZED SHELVES FOR ART. MWL40-48-60-75 / MW60-75PR FORM



E' obbligatorio fotocopiare questa pagina, compilarla con cura e allegarla all'ordine.
It is compulsory to photocopy this page, carefully fill in and attach to the order.

➔➔ **1**

DETTAGLI ORDINE / ORDER DETAILS

ordinante - buyer cliente - client

ordine - order n: _____ data - date: _____ ref.: _____

annotazioni - notes _____

➔➔ **2**

SCelta ARTICOLO / ITEM CHOICE

E' importante consultare prima la scheda tecnica relativa
It's important to consult before the technical detail

art. **SLMW**
mensola / shelf da / from 80 a / to 200 cm

➔➔ **3**

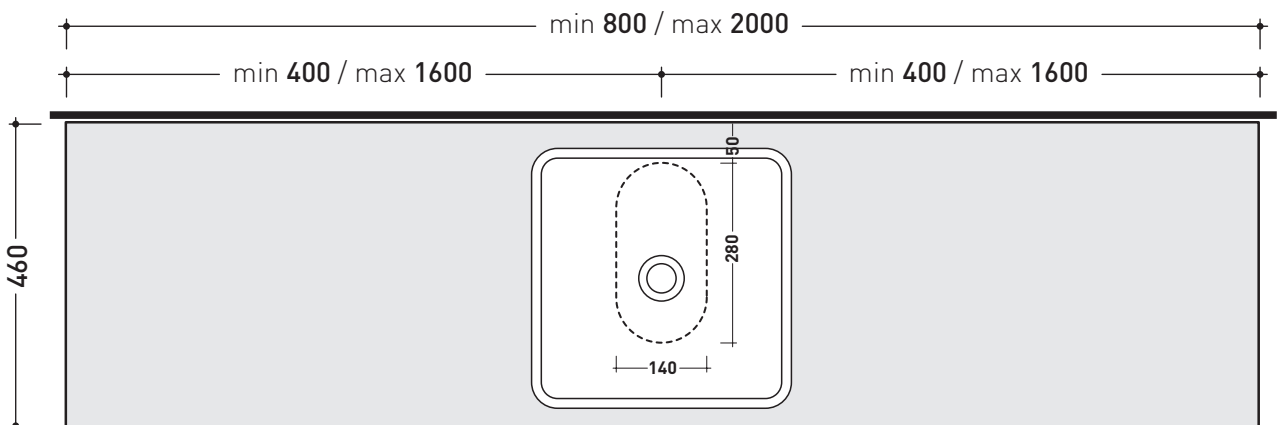
SCelta MATERIALE / MATERIAL SELECTION

LEGNO RUSTICO / RUSTIC WOOD

marrone - brown

➔➔ **4**

SCelta MISURE / MEASURES



➔ **FLAMINIA.**

lavabo / basin
MWL40 - MWL48 - MWL60 - MWL75 - MW60PR - MW75PR

A = [] mm B = [] mm
C = [] mm

- **A** = misura interasse lavabo da sinistra / left distance of basin.
- **B** = misura interasse lavabo da destra / right distance of basin.
- **C** = misura totale della mensola / total length of the shelf.
- verificare sempre che / verify that: **A + B = C.**



MODULO PER LA REALIZZAZIONE DELLE MENSOLE **SOLID** A MISURA PER DOPPIO ART. **MWL40-48-60-75 / MW60-75PR**
SOLID CUSTOMIZED SHELVES FOR DOUBLE ART. MWL40-48-60-75 / MW60-75PR FORM



E' obbligatorio fotocopiare questa pagina, compilarla con cura e allegarla all'ordine.
 It is compulsory to photocopy this page, carefully fill in and attach to the order.

➔➔ **1**

DETTAGLI ORDINE / ORDER DETAILS

ordinante - buyer cliente - client

ordine - order n: _____ data - date: _____ ref.: _____

annotazioni - notes _____

➔➔ **2**

SCELTA ARTICOLO / ITEM CHOICE

E' importante consultare prima la scheda tecnica relativa
 It's important to consult before the technical detail

art. **SLMW**
 mensola / shelf da / from **156 a / to 200 cm**

➔➔ **3**

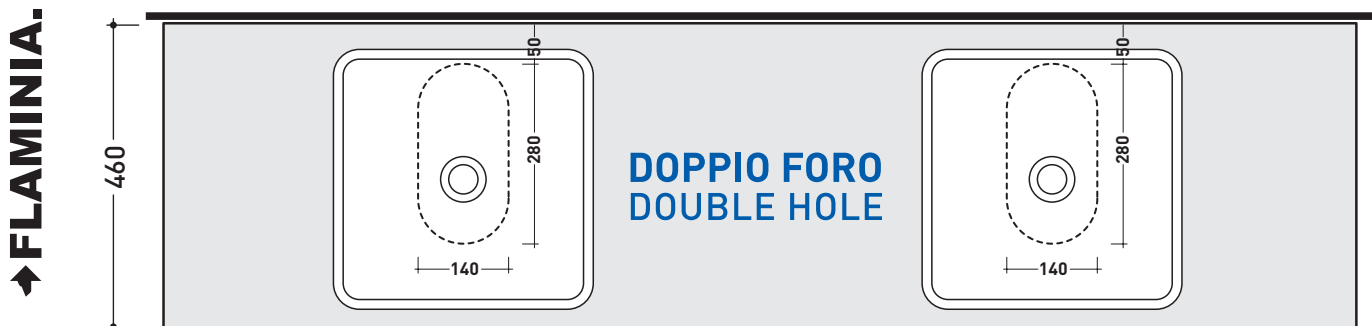
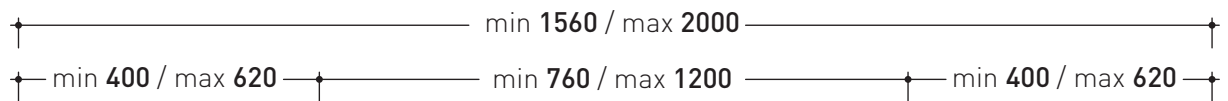
SCELTA MATERIALE / MATERIAL SELECTION

LEGNO RUSTICO / RUSTIC WOOD

marrone - brown

➔➔ **4**

SCELTA MISURE / MEASURES



lavabo / basin
 MWL40 - MWL48 - MWL60 - MWL75 - MW60PR - MW75PR

lavabo / basin
 MWL40 - MWL48 - MWL60 - MWL75 - MW60PR - MW75PR



- **A** = misura interasse lavabo da sinistra / left distance of basin.
- **B** = misura interasse lavabi / distance between basins.
- **C** = misura interasse lavabo da destra / right distance of basin.

- **D** = misura totale della mensola / total length of the shelf.
- verificare sempre che / verify that: **A + B + C = D.**