

SL5083 suitable for Nuda 60 (5083)

Shelf from 80 to 200 x 46 x h 6 cm suitable for Nuda 60 basin
(fixing brackets included)

Complements: **Make-Up mirrors and lamps**

App mirros

Simple mirros

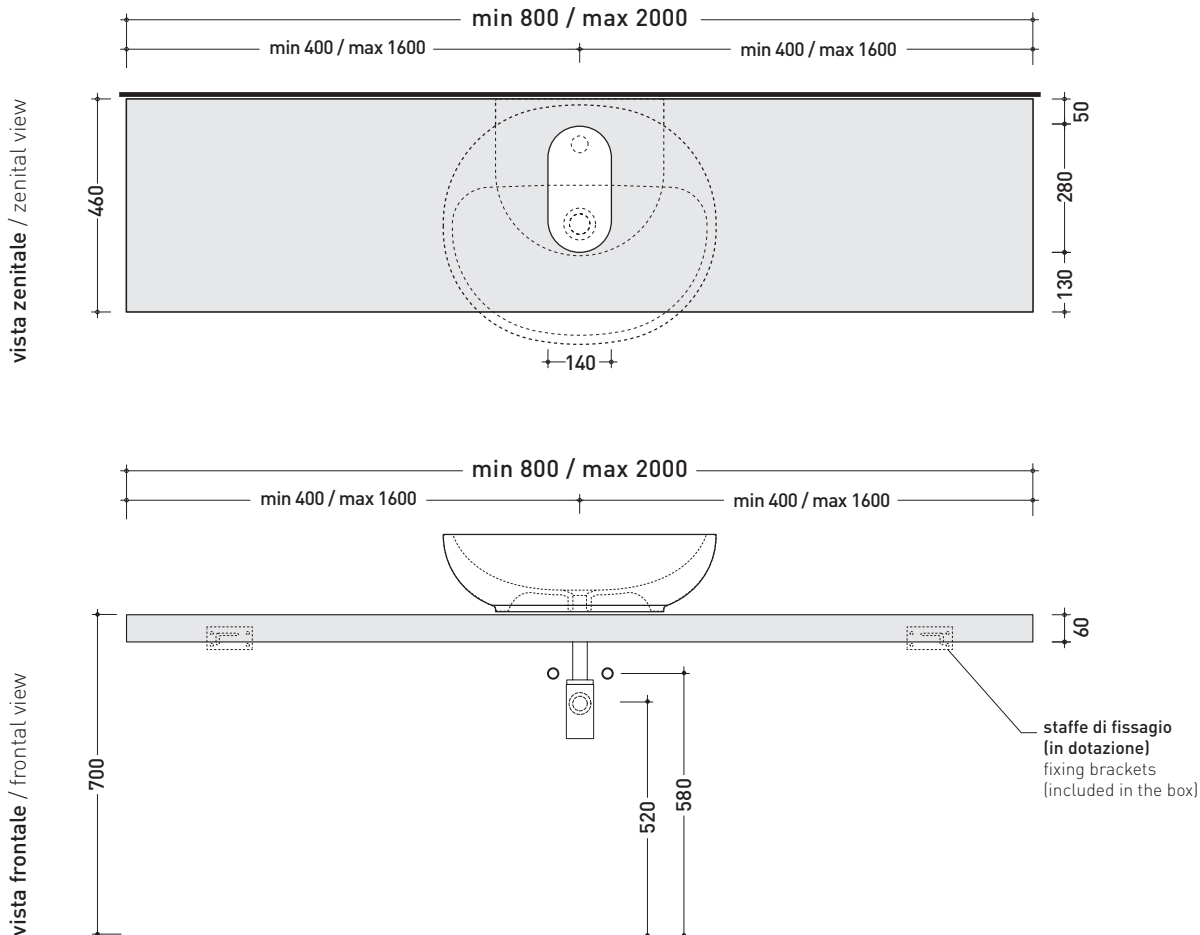
Hot/Cold mirror (SPHC)

Left/Right mirror (SPLR)

Line mirrors (BASC20 - BASC30 - BASC40)



Tap holes are not made on this article by Flaminia



REFERENCE TO
THE COMPULSORY
ORDER FORM

sizes in mm

WOOD: rustic finish



brown



MODULO PER LA REALIZZAZIONE DELLE MENSOLE **SOLID** A MISURA PER ART. **5083**

SOLID CUSTOMIZED SHELVES FOR ART. **5083** FORM



E' obbligatorio fotocopiare questa pagina, compilarla con cura e allegarla all'ordine.
It is compulsory to photocopy this page, carefully fill in and attach to the order.

➔➔ **1**

DETTAGLI ORDINE / ORDER DETAILS

ordinante - buyer cliente - client

ordine - order n: _____ data - date: _____ ref.: _____

annotazioni - notes _____

➔➔ **2**

SCELTA ARTICOLO / ITEM CHOICE

E' importante consultare prima la scheda tecnica relativa
It's important to consult before the technical detail

art. **SL5083**
mensola / shelf da / from **80 a / to 200 cm**

➔➔ **3**

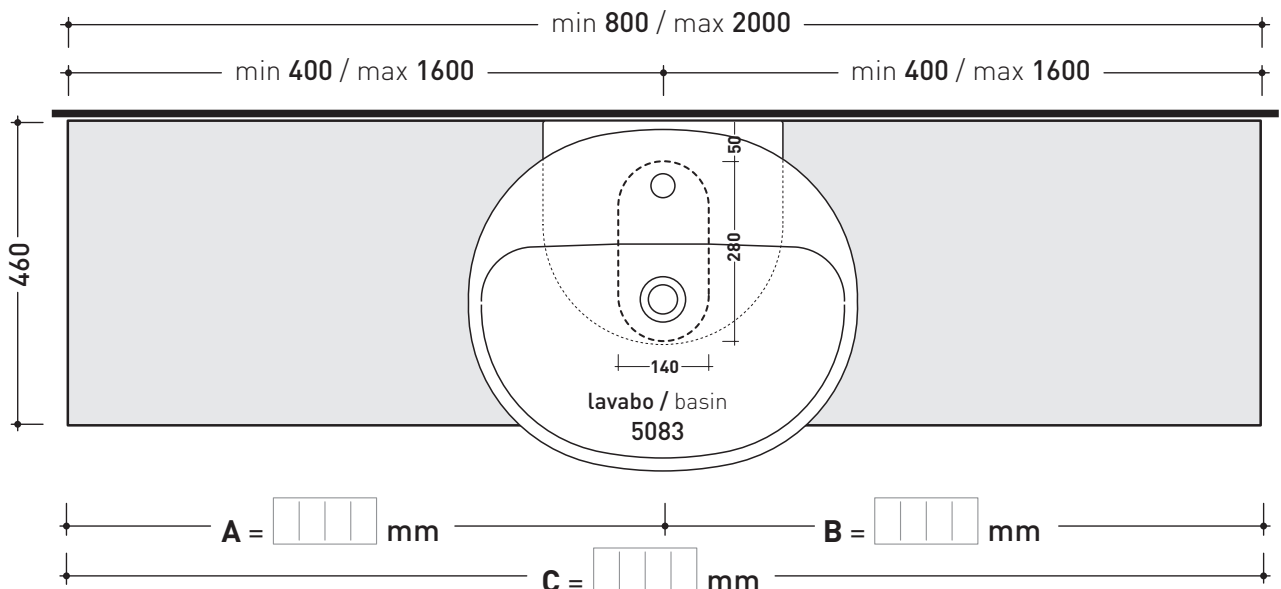
SCELTA MATERIALE / MATERIAL SELECTION

LEGNO RUSTICO / RUSTIC WOOD

marrone - brown

➔➔ **4**

SCELTA MISURE / MEASURES




➔ **FLAMINIA.**

• **A** = misura interasse lavabo da sinistra / left distance of basin. • **C** = misura totale della mensola / total length of the shelf.
• **B** = misura interasse lavabo da destra / right distance of basin. • verificare sempre che / verify that: **A + B = C.**



MODULO PER LA REALIZZAZIONE DELLE MENSOLE **SOLID** A MISURA PER DOPPIO ART. **5083**
SOLID CUSTOMIZED SHELVES FOR DOUBLE ART. 5083 FORM

 **E' obbligatorio fotocopiare questa pagina, compilarla con cura e allegarla all'ordine.**
 It is compulsory to photocopy this page, carefully fill in and attach to the order.

➔➔ **1** DETTAGLI ORDINE / ORDER DETAILS

ordinante - buyer _____ cliente - client _____

ordine - order n: _____ data - date: _____ ref.: _____

annotazioni - notes _____

➔➔ **2** SCELTA ARTICOLO / ITEM CHOICE

E' importante consultare prima la scheda tecnica relativa
 It's important to consult before the technical detail

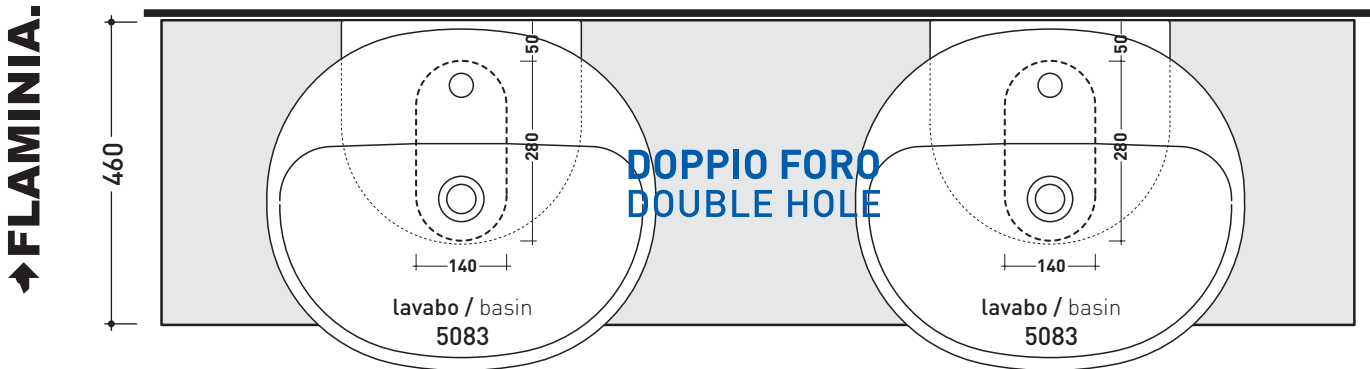
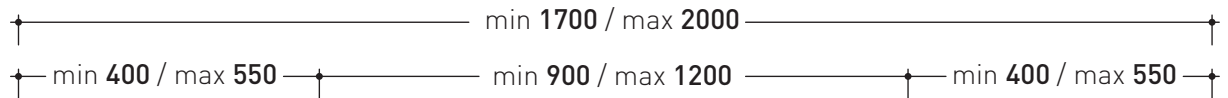
art. **SL5083**
 mensola / shelf da / from 170 a / to 200 cm

➔➔ **3** SCELTA MATERIALE / MATERIAL SELECTION

LEGNO RUSTICO / RUSTIC WOOD

marrone - brown

➔➔ **4** SCELTA MISURE / MEASURES



- A = misura interasse lavabo da sinistra / left distance of basin.
- B = misura interasse lavabi / distance between basins.
- C = misura interasse lavabo da destra / right distance of basin.
- D = misura totale della mensola / total length of the shelf.
- verificare sempre che / verify that: **A + B + C = D.**