

design **JASPER MORRISON**

2013

BN50C Bonola

Pedestal suitable for Bonola 46/50 basins
(floor fixing kit art. 9005 and siphon art. FMT/SIF included)

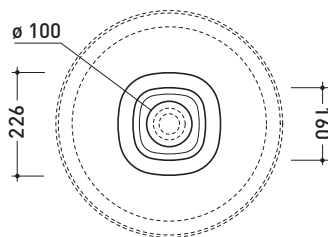
Complements: **Bonola 46 basin** (BN46A)
Bonola 50 basin (BN50A)
Line taps basin: ONE - NOKÉ - SI - FOLD - X1
Line accessories: TWO - HOOP - NOKÉ - FOLD

Technical accessories: **Stop & Go drain** (PLSG)
CERAMIC Stop & Go drain (PLCE)

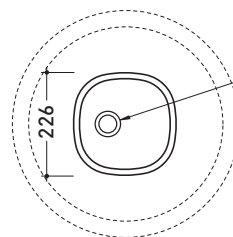
Package dim. **25 x 25 x 76 cm** | Weight **15 kg** | Pz. Pallet n° -



CE

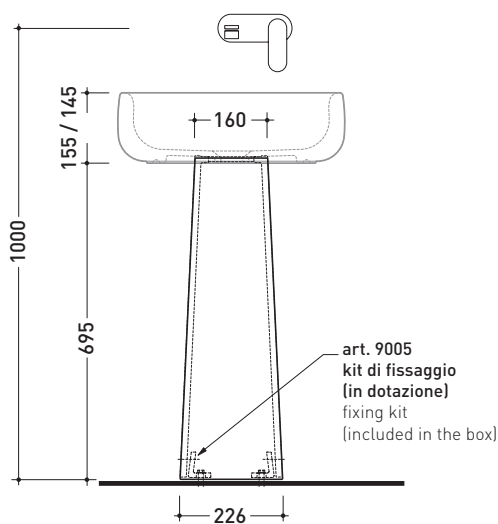


vista zenitale / zenital view

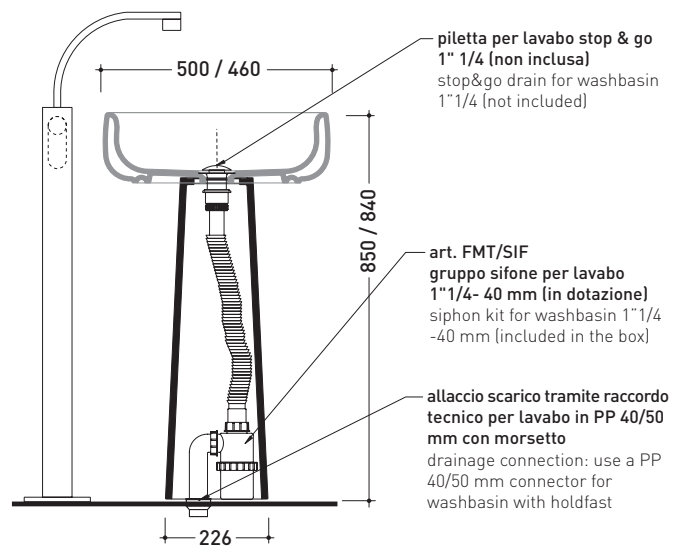


allaccio scarico tramite raccordo tecnico per lavabo in PP 40/50 mm con morsetto
drainage connection: use a PP 40/50 mm connector for washbasin with holdfast

vista zenitale / zenital view



vista frontale / frontal view



sezione longitudinale / section

sizes in mm

Please consider a 2% tolerance on indicated measurements

CERAMIC: glossy finish



matt finish



<http://www.ceramicaflaminia.it/en/lines/279-bonola>

©ceramicaflaminiaspa - All rights reserved. Unauthorized copying, publication, reproduction as well as partial reproduction are prohibited

april 2019

