

design JASPER MORRISON

2014

BN118

Wall hung wc (fixing kit art. 9008 included)

Complements: **Soft-closing thermosetting wrapping seat&cover (BNCW03)**
Line accessories: TWO - HOOP - NOKÉ - FOLD

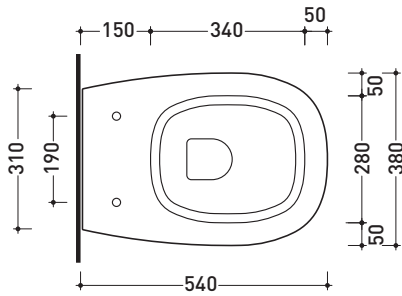
Technical accessories: **Universal fixing bracket for wall hung wc/bidet (41/P)**

Package dim. **57 x 39 x 35 cm** | Weight **25,8 kg** | Pz. Pallet n° **15**

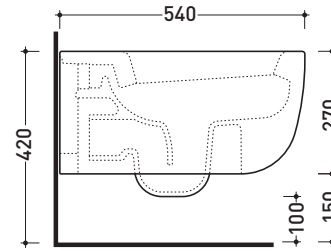


CE UNI EN 997

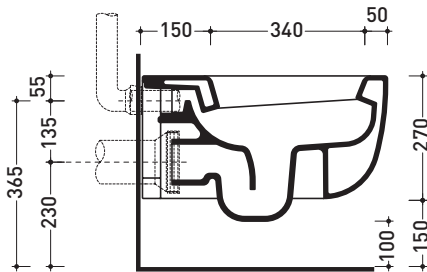
Dop-No997



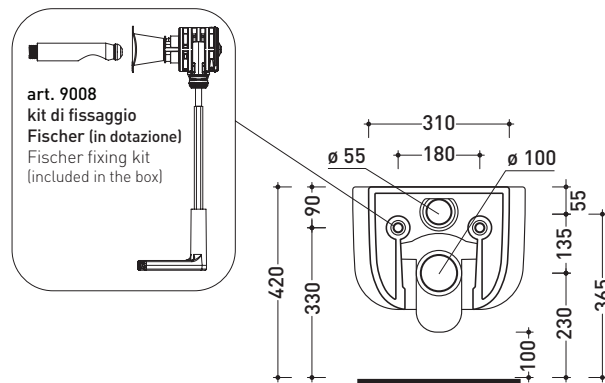
vista zenitale / zenital view



vista laterale / lateral view



sezione longitudinale / section



vista retro / back view

sizes in mm

Please consider a 2% tolerance on indicated measurements

CERAMIC: glossy finish



white

FLAMINIA does not recommend combining this toilet model with rapid-flow/flushometer systems or traditional high tanks